

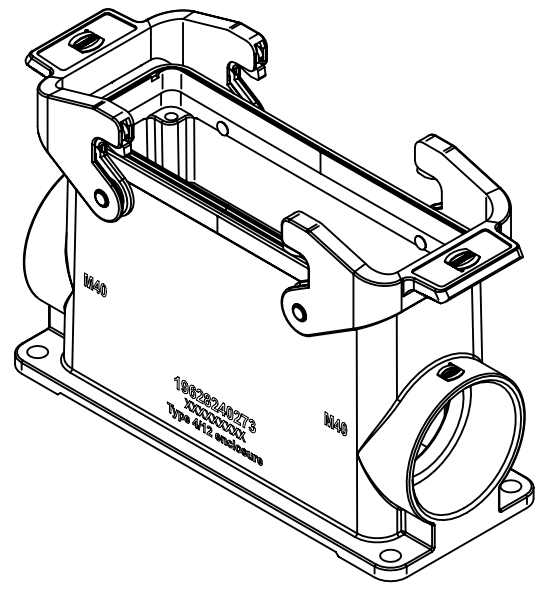
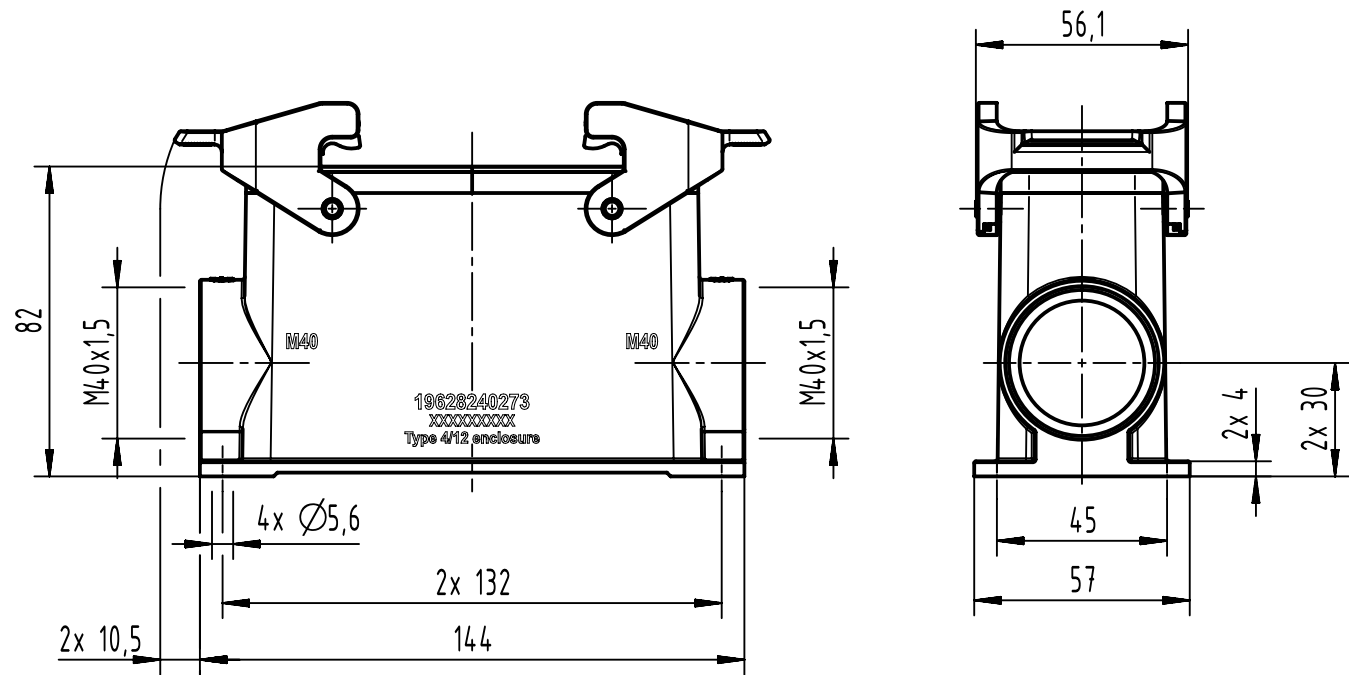
1 2 3 4 5 6

A

B

C

D



	All Dimensions in mm Original Size DIN A4		Scale 1:2	Free size tol.		Ref.	
			Created by HELLMANN	Inspected by GERB	Standardisation 302077	Date 2021-05-25	State Final Release
All rights reserved Department EL PD		Title Han 24EMC/B SM Housing 2 x M40				Doc-Key / ECM-Nr. 100205790/UGD/004/D 500000195191	
HARTING D-32339 Espelkamp		Type TB	Number 19 62 824 0273			Rev. D	Page 1/1