

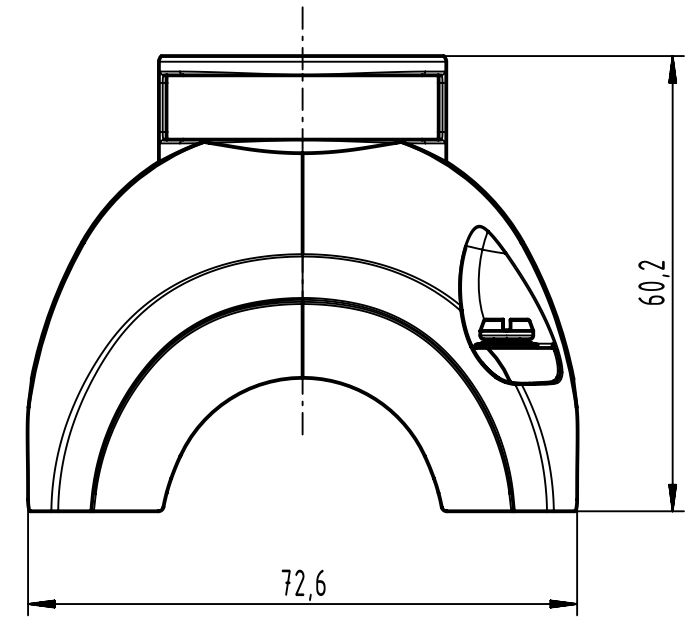
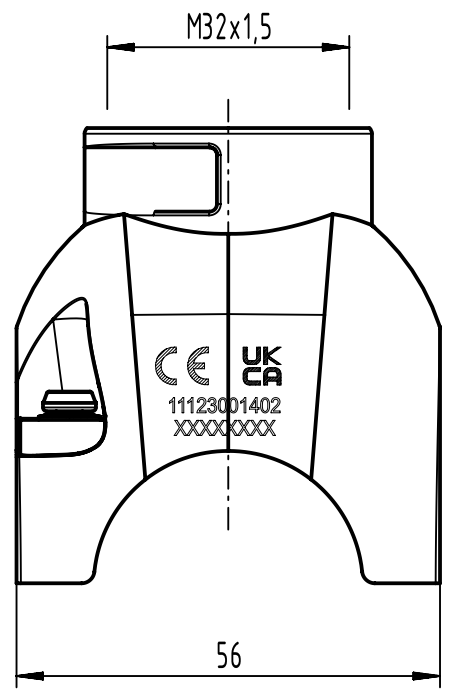
1 2 3 4 5 6

A

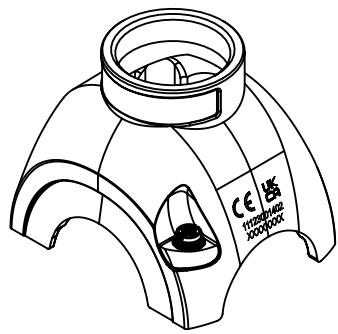
B

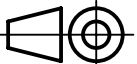

C

D



range of delivery: shell with M4 screws, washers and seals  
to mount on carrier hood



 All Dimensions in mm Original Size DIN A4	Scale	Free size tol.		Ref.	
	1:1			Sub.	
 All rights reserved Department EL PD	Created by	Inspected by	Standardisation	Date	State
	HELLMANN	GERB		2021-11-09	Final Release
HARTING D-32339 Espelkamp	Title			Doc-Key / ECM-Nr.	
	Han-Yellock shell top entry M32			100185759/UGD/005/A 500000204234	
Type		Number		Rev.	Page
TB		11 12 300 1402		A	1/1