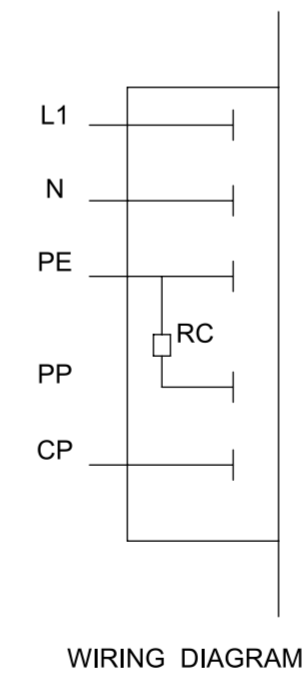


ITEM	DESCRIPTION	CHARACTERISTICS	COLOR
1	CONNECTOR	TYPE 2 - 20A AC SINGLE-PHASE	GREY SIMILAR TO RAL 7004
2	CABLE	3G2,5+1x0,5 EN50620-2017	BLACK
3	L1	2,5 mm ²	BROWN
4	N	2,5 mm ²	BLUE
5	PE	2,5 mm ²	YELLOW+GREEN
6	CP	0,5 mm ²	NOT BINDING

PART NUMBER	A (mm)	B (mm)		C (mm)		D (mm)	TERMINAL
		Line	Length	Line	Length		
201.CS0021-5	5000 (0; +100)	L1	85 ± 10	L1	14 ± 1	5210 (0; +100)	NA
		N	85 ± 10	N	14 ± 1		NA
		PE	85 ± 10	PE	14 ± 1		NA
		CP	85 ± 10	CP	14 ± 1		NA
201.CS0021-8	7500 (0; +100)	L1	85 ± 10	L1	14 ± 1	7710 (0; +100)	NA
		N	85 ± 10	N	14 ± 1		NA
		PE	85 ± 10	PE	14 ± 1		NA
		CP	85 ± 10	CP	14 ± 1		NA



WIRING DIAGRAM

Under the terms of the law we reserve the ownership of this design may not be copied and transfer it to third parties or competitors SCAME S.p.A. PARRE - (Bergamo)	Format	A2	Scale	1:1	Mould N°		Drawn	SCAME	
	Tolerances for linear and angular dimensions without indication of specific tolerances: JS13 / UNI 286-1:2010							Date	
	DESCRIPTION							Approved	
20A 1PH TYPE 2 OPEN END CHARGING CABLE							CODE	Sheet 1 / 1	
								4010369	