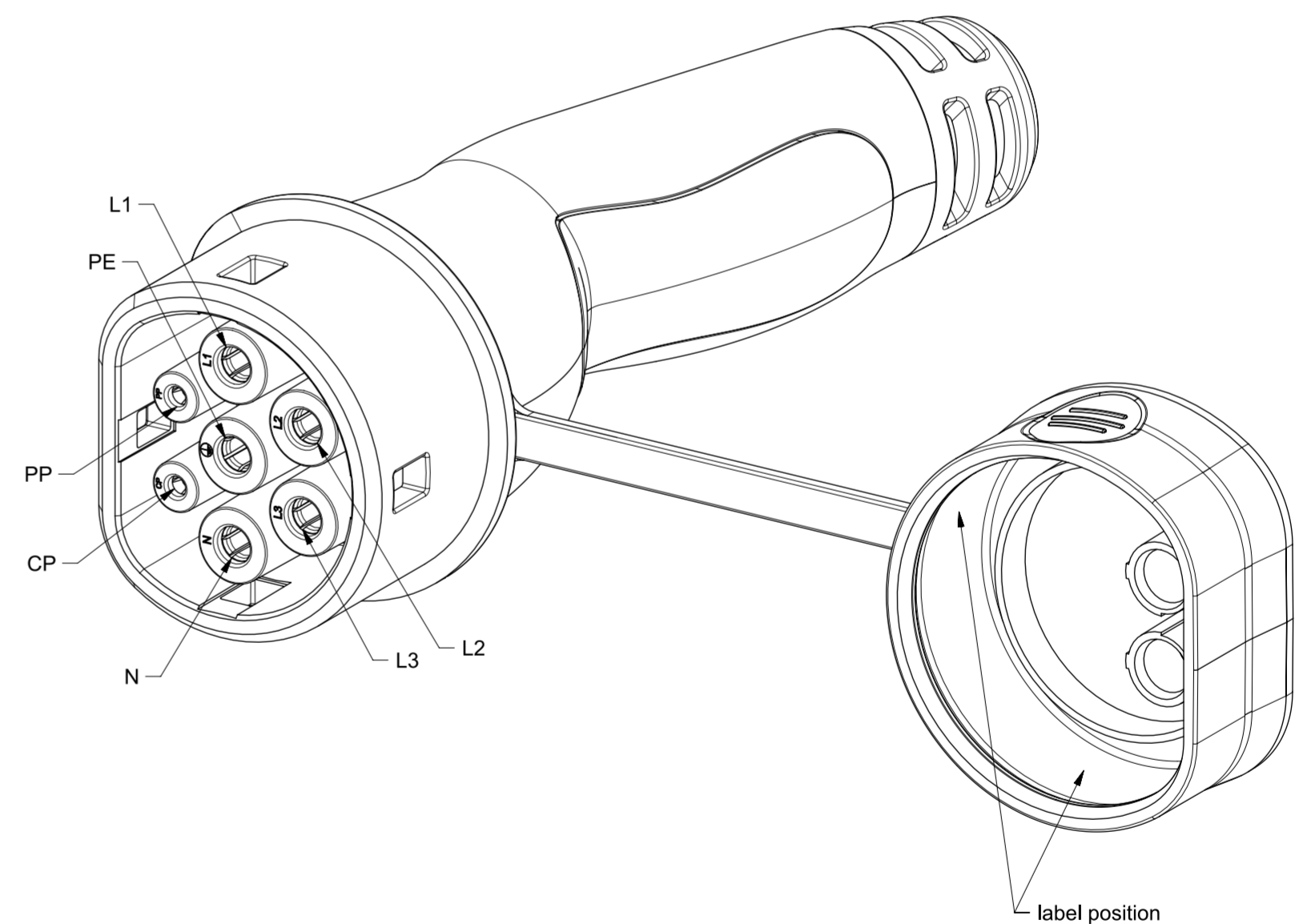
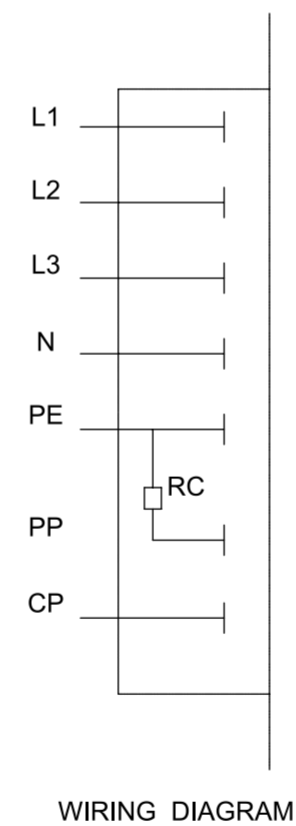


ITEM	DESCRIPTION	CHARACTERISTICS	COLOR
1	CONNECTOR	TYPE 2 - 20A AC THREE-PHASE	
2	CABLE	5G2,5+1x0,5 EN50620-2017 SPIRAL	BLACK
3	L1	2,5 mm ²	BROWN
4	L2	2,5 mm ²	BLACK
5	L3	2,5 mm ²	GREY
6	N	2,5 mm ²	BLUE
7	PE	2,5 mm ²	G/Y
8	CP	0,5 mm ²	NON BINDING



PART NUMBER	A (m) working length	B (m) line length	C (mm)		D (mm)		TERMINAL
201.CS0022-4S	4 (0 ; 0,1)	7 ± 0,01	L1	85 ± 10	L1	14 ± 1	NA
			L2	85 ± 10	L2	14 ± 1	NA
			L3	85 ± 10	L3	14 ± 1	NA
			N	85 ± 10	N	14 ± 1	NA
			PE	85 ± 10	PE	14 ± 1	NA
			CP	85 ± 10	CP	14 ± 1	NA

LINEA xx
ASSEMBLY LINE IDENTIFIER

SCAME
Via Costa Erità 15 - 24020 Parre BG ITALY
XXXXXXXXXXXXXXXXXXXX
XXXXXXXXXX
201.XXXXXXXXXX
General data

201.xxxxxxx
????????
Year: xxxx
Batch data

Under the terms of the law we reserve the ownership of this design may not be copied and transfer it to third parties or competitors	Format	A2	Scale	1:1	Mould N°	Drawn	SCAME
	Tolerances for linear and angular dimensions without indication of specific tolerances: JS13 / UNI 286-1:2010						Date
SCAME S.p.A. PARRE - (Bergamo)	DESCRIPTION					Approved	
	CORD-SET CONNECTOR T2 20A 3P 4M SPIR						CODE
							4013650