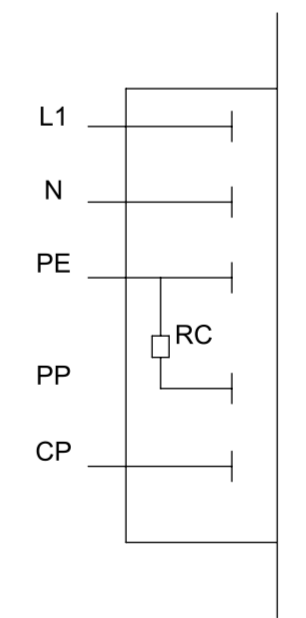


ITEM	DESCRIPTION	CHARACTERISTICS	COLOR
1	CONNECTOR	TYPE 2 - 32A AC SINGLE-PHASE	GREY SIMILAR TO RAL 7004
2	CABLE	3G6+1x0,5 EN50620-2017 SPIRAL	BLACK
3	L1	6 mm ²	BROWN
4	N	6 mm ²	BLUE
5	PE	6 mm ²	YELLOW+GREEN
6	CP	0,5 mm ²	NON BINDING



WIRING DIAGRAM

PART NUMBER	A (m) working length	B (m) linear length	C (mm)		D (mm)		E (mm)	TERMINAL
			L1	N	PE	CP		
201.CS0023-4S	4000 (0; +100)	7000 ± 10	L1	85 ± 10	L1	14 ± 1	7210 ± 10	NA
			N	85 ± 10	N	14 ± 1		NA
			PE	85 ± 10	PE	14 ± 1		NA
			CP	85 ± 10	CP	14 ± 1		NA

Under the terms of the law we reserve the ownership of this design may not be copied and transfer it to third parties or competitors SCAME S.p.A. PARRE - (Bergamo)	Format	A2	Scale	1:1	Mould N°	Drawn	SCAME
	Tolerances for linear and angular dimensions without indication of specific tolerances: JS13 / UNI 286-1:2010					Date	
						Approved	
DESCRIPTION						CODE	Sheet 1 / 1
32A 1PH TYPE 2 OPEN END SPIRAL CHARGING CABLE						4013651	