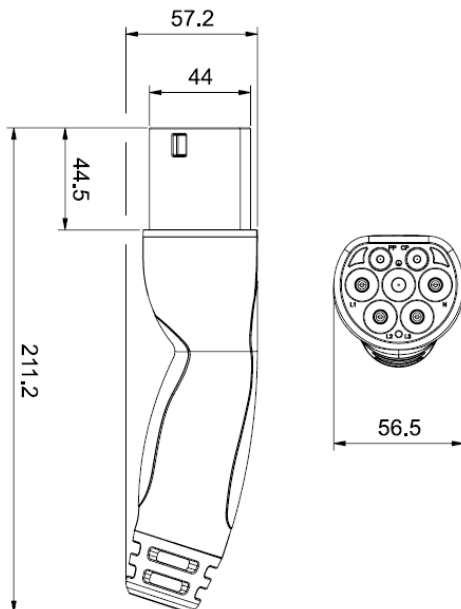


## 201.CS2111-5

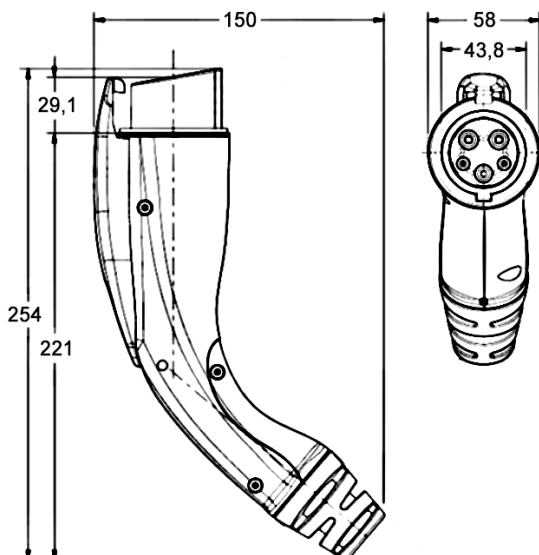
Cord set with plug Type 2 20A 1P  
cable 3x2,5+1x0,5 5m - connector Type 1 20A 1P



### > PLUG DIMENSIONS



### > CONNECTOR DIMENSIONS



### > REFERENCE STANDARD

#### EN 62196-1

Plugs, socket-outlets, vehicle couplers and vehicle inlets.  
Conductive charging of electric vehicles.  
Part 1: General requirements.

#### EN 62196-2

Plugs, socket-outlets and vehicle couplers.  
Conductive charging of electric vehicles.  
Part 2: Dimensional interchangeability requirements  
for a.c. pin and contact-tube accessories.

#### EN 50620

Electric cables - Charging cables for electric vehicles

### > TECHNICAL CHARACTERISTICS

Rated current:	<b>20A</b>
Rated voltage:	<b>200-250VAC</b>
Frequency:	<b>50-60Hz</b>
Insulating voltage:	<b>500V</b>
Protection degree:	<b>IP44</b>
Operating temperature:	<b>-30°C +50°C</b>
Material:	<b>Engineering plastic</b>
Salt mist:	<b>Resistant</b>
UV radiation:	<b>Resistant</b>

### > CABLE

Rated voltage:	<b>450/750V</b>
Insulation/Sheath:	<b>PUR</b>
Max. temperature:	<b>+90°C</b>