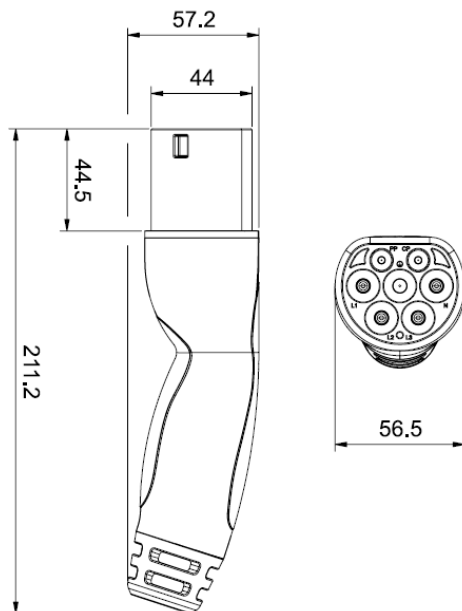


## 201.CS2424-5

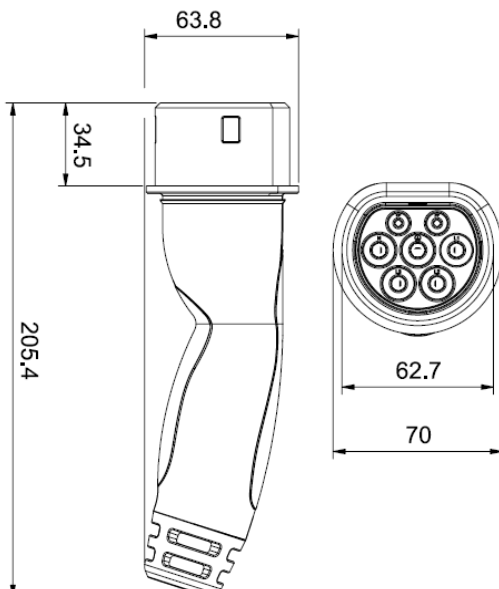
Cord set with plug Type 2 32A 3P  
cable 5x6+1x0,5 5m - connector Type 2 32A 3P



### > PLUG DIMENSIONS



### > CONNECTOR DIMENSIONS



### > REFERENCE STANDARD

#### EN 62196-1

Plugs, socket-outlets, vehicle couplers and vehicle inlets.  
Conductive charging of electric vehicles.  
Part 1: General requirements.

#### EN 62196-2

Plugs, socket-outlets and vehicle couplers.  
Conductive charging of electric vehicles.  
Part 2: Dimensional interchangeability requirements  
for a.c. pin and contact-tube accessories.

#### EN 50620

Electric cables - Charging cables for electric vehicles

### > TECHNICAL CHARACTERISTICS

|                        |                            |
|------------------------|----------------------------|
| Rated current:         | <b>32A</b>                 |
| Rated voltage:         | <b>380-480VAC</b>          |
| Frequency:             | <b>50-60Hz</b>             |
| Insulating voltage:    | <b>500V</b>                |
| Protection degree:     | <b>IP44</b>                |
| Operating temperature: | <b>-30°C +50°C</b>         |
| Material:              | <b>Engineering plastic</b> |
| Salt mist:             | <b>Resistant</b>           |
| UV radiation:          | <b>Resistant</b>           |

### > CABLE

|                    |                 |
|--------------------|-----------------|
| Rated voltage:     | <b>450/750V</b> |
| Insulation/Sheath: | <b>PUR</b>      |
| Max. temperature:  | <b>+90°C</b>    |