

204.UB11B-EB

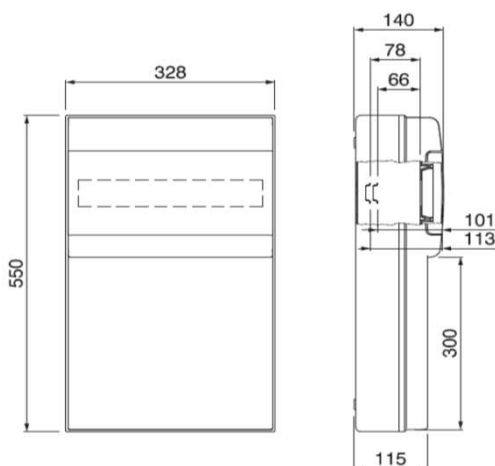
Plastic wall mounting consumer unit with
1 German socket type 16A 230Vac 3,7kW
with plug/lid lock



> FUNCTIONS

protection against overcurrents and electric shock
protection against direct contact Safety Child Shutters
energy metering and current consumption
identification of authorized user
managing of lid locking and latching system
working in mode stand-alone free or personal
predisposition for serial communication

> DIMENSION



> REFERENCE STANDARD

EN 61439-3

Low-voltage switchgear and controlgear assemblies
Part 3: Distribution boards intended to be operated
by ordinary persons

> TECHNICAL CHARACTERISTICS

Rated current:	16A
Rated voltage:	230Vac
Frequency:	50-60Hz
Insulating voltage:	250V
Protection degree:	IP54
Operating temperature:	-25°C +40°C
Material:	Engineering plastic
Glow wire test:	650°C
IK degree at 20°C:	IK07
Color:	Anthracite
Mounting:	Wall mounting
Salt mist:	Resistant
UV radiation:	Resistant

> EQUIPMENTS

1 terminal strip 3x6mm²
1 circuit breaker 1P+N D20 30mA ist. A
1 digital energy meter 1P+N 40A
1 modular contactor 2P 25A 24Vdc
1 fuse holder 1P+N gG 4A
1 power supply 24Vdc 36W
1 control card
1 reader RFID 13,56MHz
1 couple of service led
1 stop charge push-button (mode free)

excluded:
emergency line 24Vdc (optional)