

## 204.UB21B-EBA

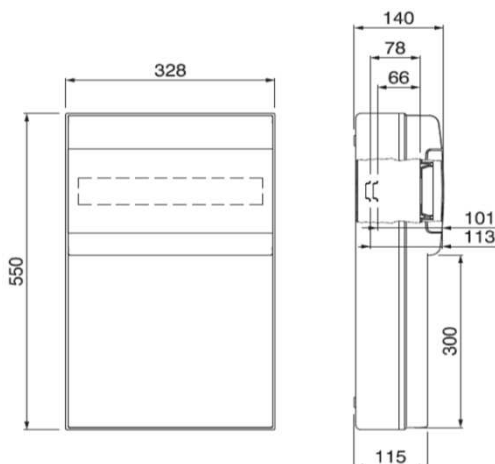
Plastic wall mounting consumer unit with  
2 German sockets type 16A 230Vac 3,7kW  
with plug/lid lock



### > FUNCTIONS

protection against overcurrents and electric shock  
protection against direct contact Safety Child Shutters  
energy metering and current consumption  
identification of authorized user  
managing of lid locking and latching system  
working in mode stand-alone free or personal  
predisposition for serial communication  
interfacing with OCPP Central Station

### > DIMENSION



### > REFERENCE STANDARD

#### EN 61439-3

Low-voltage switchgear and controlgear assemblies  
Part 3: Distribution boards intended to be operated  
by ordinary persons

### > TECHNICAL CHARACTERISTICS

Rated current:	<b>32A</b>
Rated voltage:	<b>230Vac</b>
Frequency:	<b>50-60Hz</b>
Insulating voltage:	<b>250V</b>
Protection degree:	<b>IP54</b>
Operating temperature:	<b>-25°C +40°C</b>
Material:	<b>Engineering plastic</b>
Glow wire test:	<b>650°C</b>
IK degree at 20°C:	<b>IK07</b>
Color:	<b>Anthracite</b>
Mounting:	<b>Wall mounting</b>
Salt mist:	<b>Resistant</b>
UV radiation:	<b>Resistant</b>

### > EQUIPMENTS

1 terminal strip 3x10mm<sup>2</sup>  
1 main switch 2P 40A  
2 circuit breakers 1P+N D20 30mA ist. A  
2 digital energy meters 1P+N 40A  
2 modular contactors 2P 25A 24Vdc  
1 fuse holder 1P+N gG 4A  
1 power supply 24Vdc 60W  
2 control cards  
2 readers RFID 13,56MHz  
2 couples of service led  
2 stop charge push-buttons (mode free)  
1 local server wired with OCPP 1.6J protocol

excluded:

emergency line 24Vdc (optional)