

### 208.AP11

Pole support in galvanized steel  
for single Wall Box (WB-W)

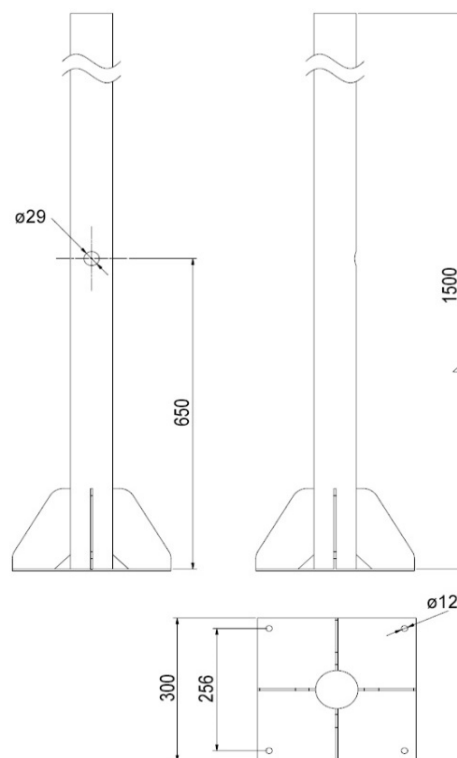


\*

\*Wall Box and fixing plate not included

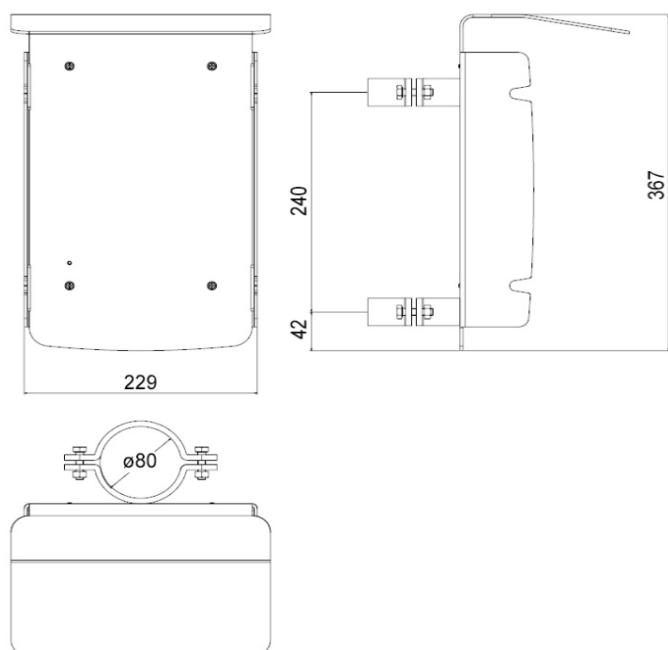
### 208.AP12

Pole support in galvanized steel  
for dual Wall Box (WD)



### 208.AP21

Fixing plate in galvanized and painted steel  
for single Wall Box (WB)



### 208.AP22

Fixing plate in galvanized steel  
for dual Wall Box (WD)

