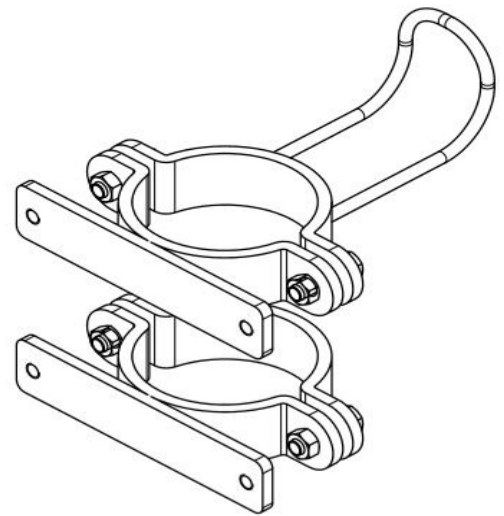
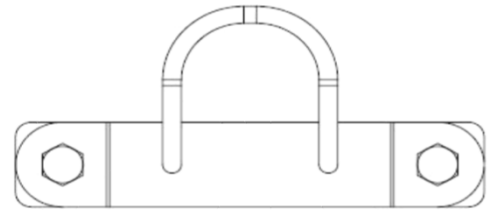


**208.AP26**

2 Pole fixing accessories with cable wrapping support in galvanized steel for Wall Box BE-W



> DIMENSION

