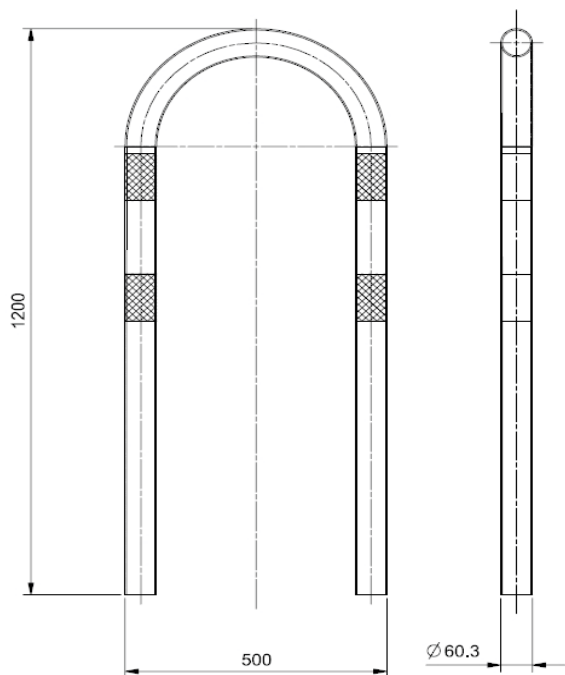


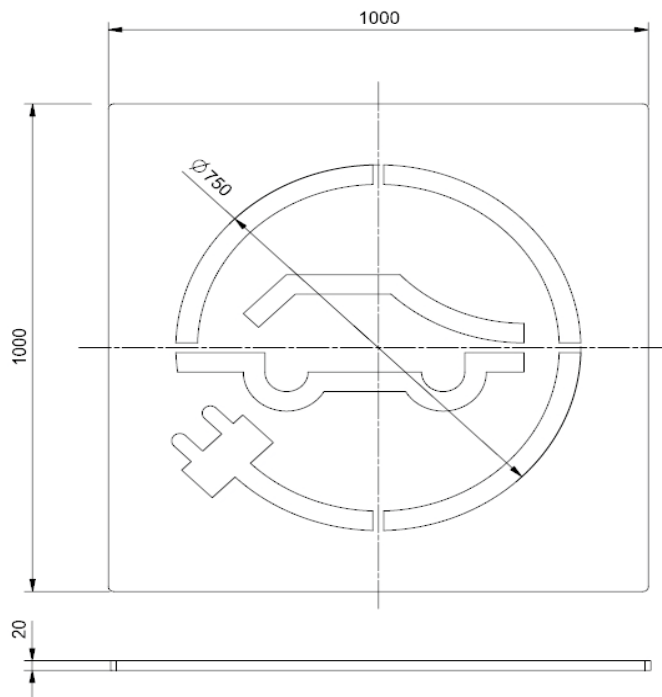
208.AP31

Arc in galvanized and painted steel for pillar shockproof protection



208.AP32

Template in galvanized steel for horizontal signage



208.AP34

Sign in alluminium for vertical signage



208.AP35

Pole support in galvanized steel for vertical signage

