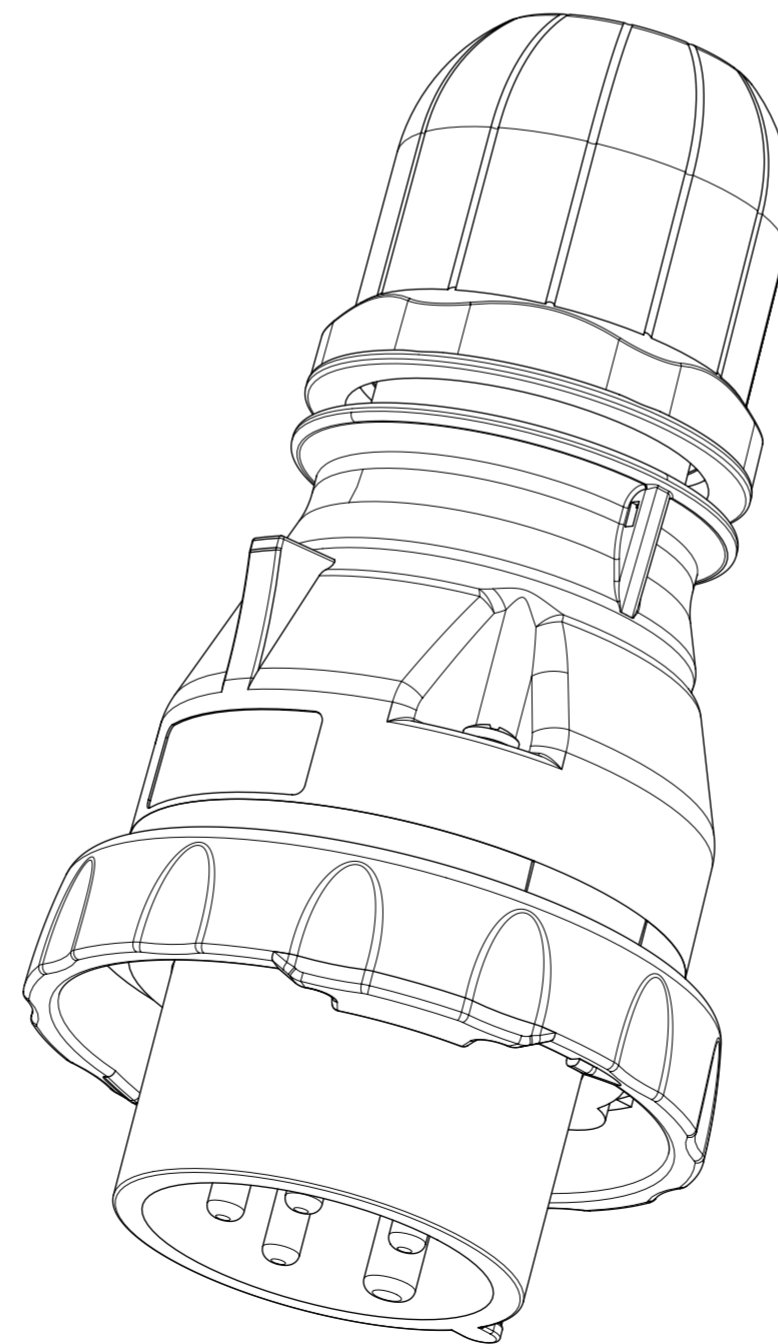
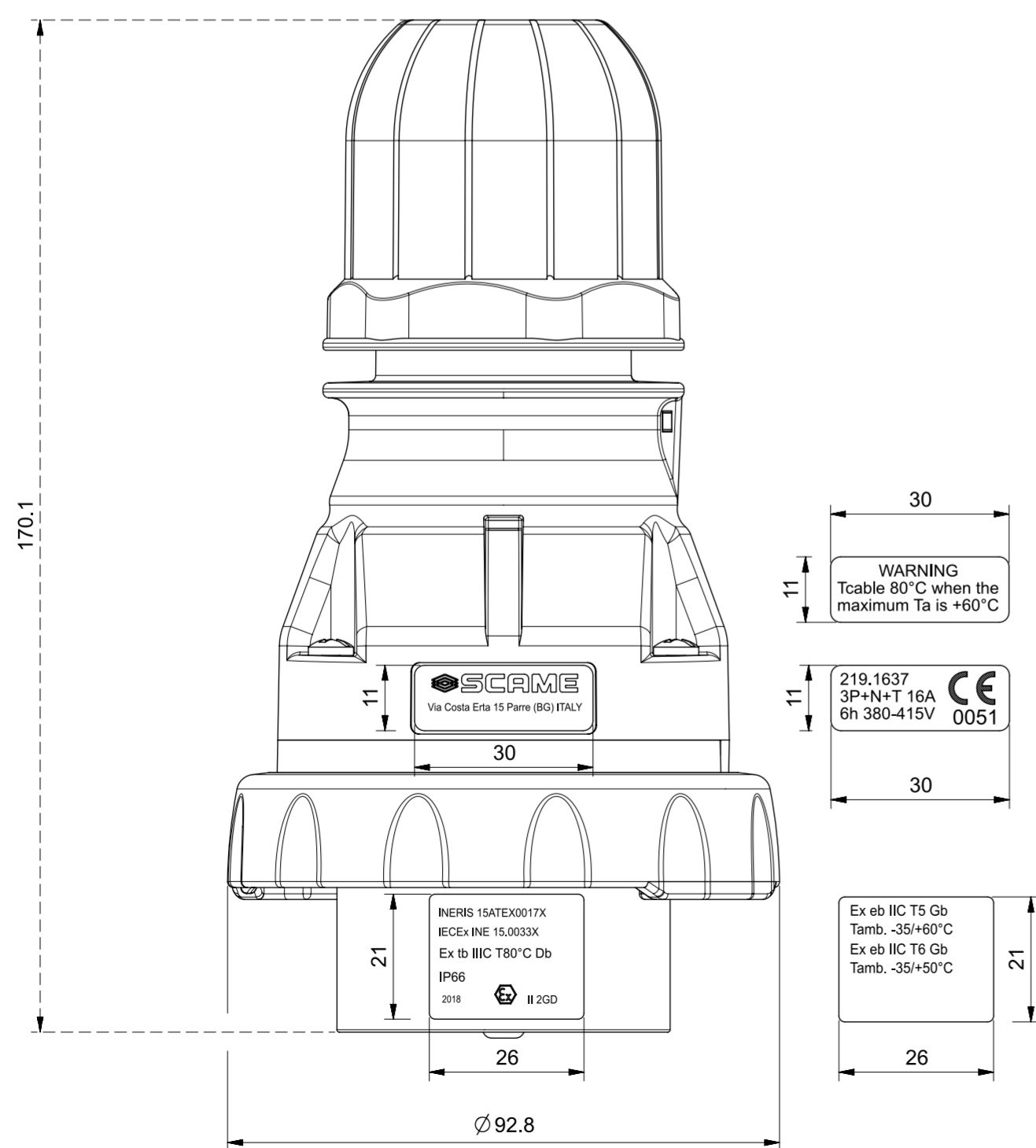
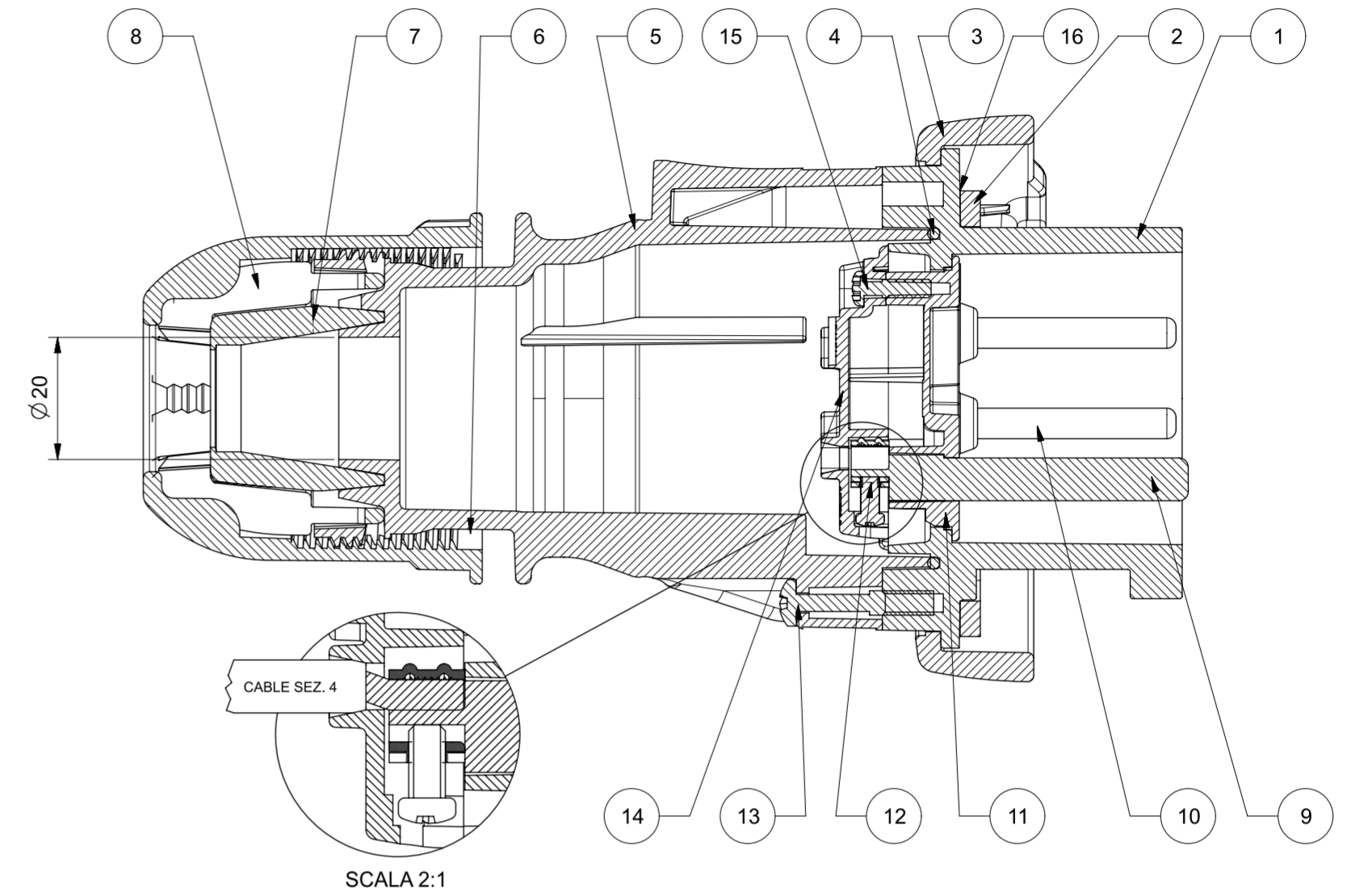
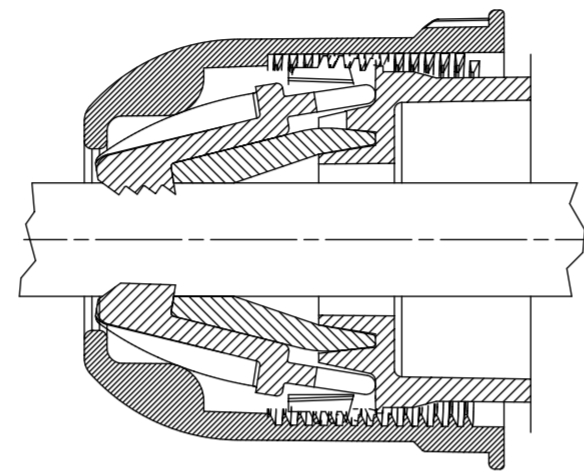
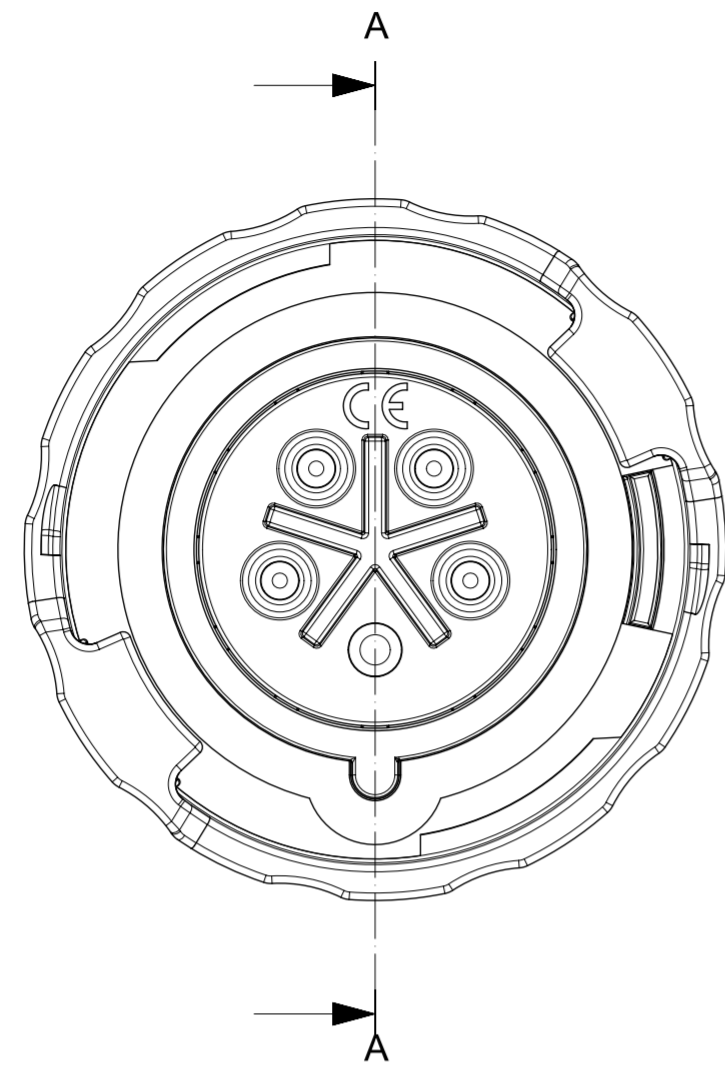


Sezione A-A



16	MP38432	SIGILLANTE SILICONICO LOXEAL 59-20	3	G	
15	MP26606	VITE AUT. 3x11 TC TT SP PF	3	NR	4000912
14	SL20712	COP.TTO SP/PR EX ZONA1 3P+N+T 16A	1	NR	4000058
13	MP26519	VITE AUT. 4x22 TB SP CC PFPP INOX	3	NR	4000911
12	MP06257	MORSETTO A MANTELLO 16A	5	NR	4000914
11	SL20706	FRUTTO SPINA EX 3P+N+T 16A ZONA1	1	NR	4000052
10	SL20733	SPINOTTO FASE 16A PER ZONA1	4	NR	4000067
9	SL20734	SPINOTTO TERRA 16A PER ZONA1	1	NR	4000068
8	SL22514	FERMACAVO OPTIMA 3P+N+T 16A 2/3P 32A	1	NR	4000462
7	MP40190	GUARN. PRESS. 5P 16A 2/3P 32A ZONA1	1	NR	4000931
6	SL20702	GHIERA PRESSACAVO 5P16A 2/3P 32A ZONA1	1	NR	4000048
5	SL20699	IMPUGNATURA SPINA EX ZONA1 5P 16 2/3P 32	1	NR	4000045
4	MP38138	GUARNIZIONE OR D52x2 SIL 70 SH ROSSO	1	NR	4000970
3	SL20876	GHIERA ROSSA 3P+N+T 16A ZONA1	1	NR	4000264
2	MP40181	GUARNIZIONE COPERCHIO 3P+N+T 16A IP67 EX	1	NR	4000921
1	SL20718	CORPO SPINA EX ZONA1 3P+N+T 16A IP67	1	NR	4000064
POS.	CODICE	DESCRIZIONE	Q.TA	UM	DISEGNO

<p>At the end of the law, we reserve the ownership of this design may not be copied and transfer it to third parties or competitors</p> <p>SCAME S.p.A. PARRE - (Bergamo)</p>	Format	A2	Scale	1:1	Mould N°	1000XXXX	Drawn	SCAME	
	Tolerances for linear and angular dimensions without indication of specific tolerances: JS13 / UNI EN20286							Date	
	DESCRIPTION							Approved	
SPINA MOBILE IP66 16A 3P+N+T ZONA1								CODE	4000882
								Sheet 1 / 1	