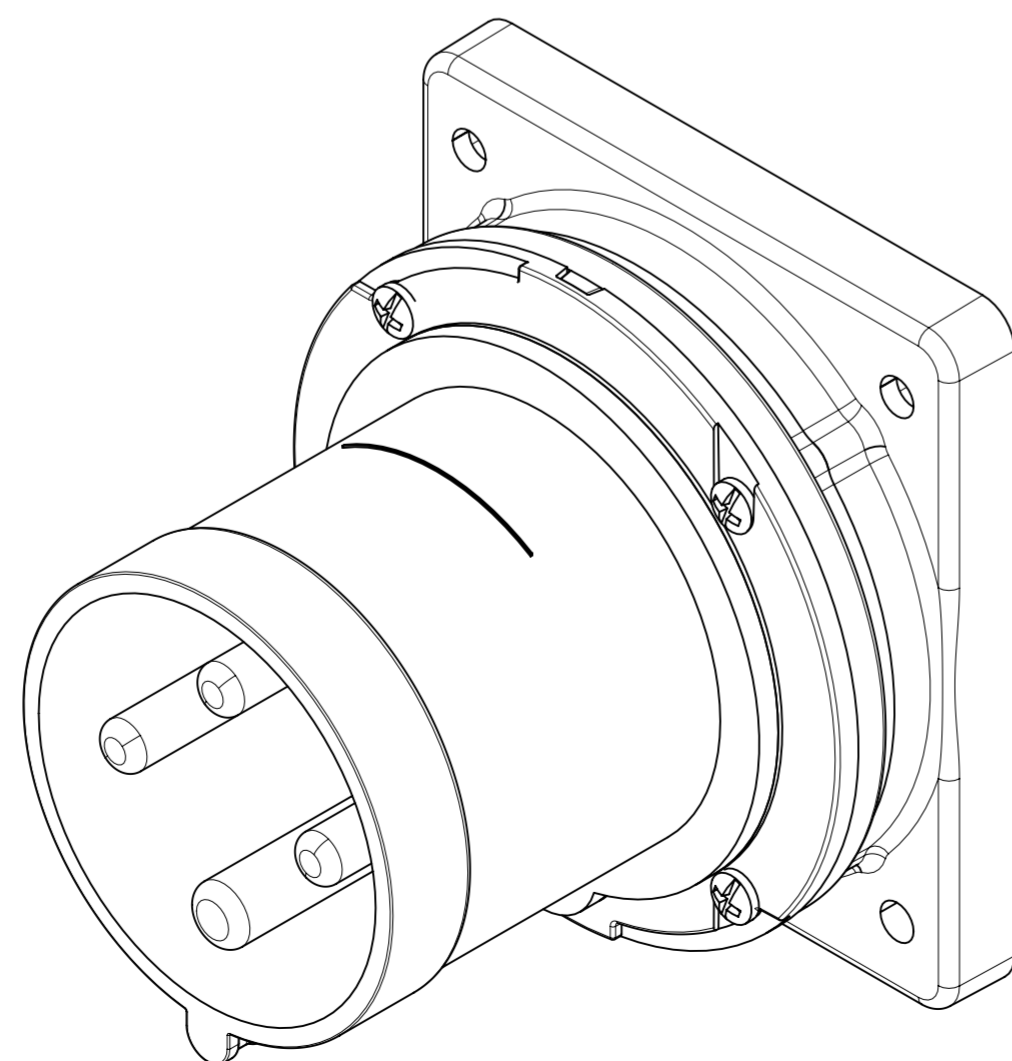


DIAMETRO DI FORATURA PANNELLO
PANEL DRILLING HOLE



IL DISEGNO SI RIFERISCE ALLA POSIZIONE 6H
DWG REFERS TO CLOCK POSITION 6H

At the end of the law, we reserve the ownership of this design may not be copied and transfer it to third parties or competitors	Format	A2	Scale	1:1	Mould N°	1000XXXX	Drawn	SCAME	
	Tolerances for linear and angular dimensions without indication of specific tolerances: JS13 / UNI EN20286							Date	
SCAME S.p.A. PARRE - (Bergamo)	DESCRIPTION							CODICE Sheet 1 / 1	
	SPINA INCASSO 3P+T 63A OPTIMA IP44							4000556	