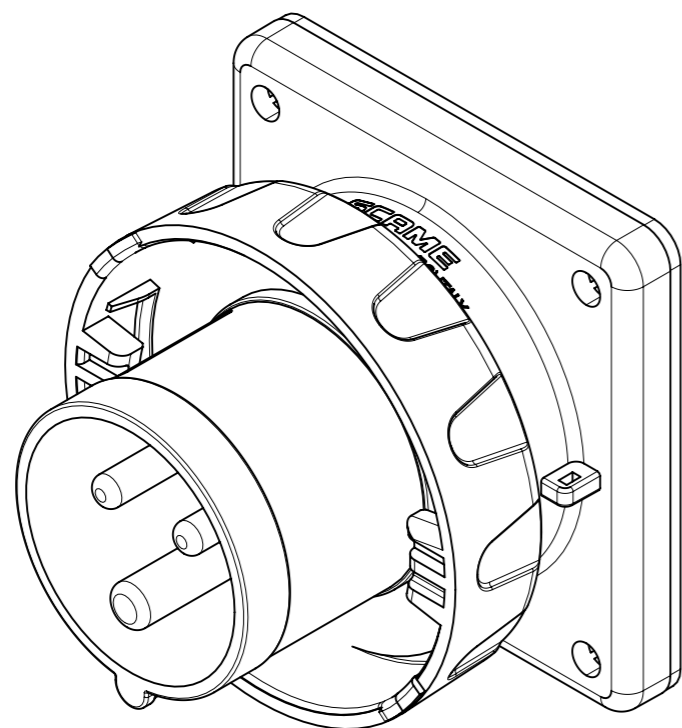


DIAMETRO DI FORATURA PANNELLO
 PANEL DRILLING HOLE



IL DISEGNO SI RIFERISCE ALLA POSIZIONE 6H
 DWG REFERS TO CLOCK POSITION 6H

PER ART. 248.2093 LA CORRENTE NOMINALE E' 20 A
 FOR ART. 248.2093 RATED CURRENT IS 20 A

At the end of the law, we reserve the ownership of this design may not be copied and transfer it to third parties or competitors	Format	A3	Scale	1:1	Mould N°		Drawn	SCAME
	Tolerances for linear and angular dimensions without indication of specific tolerances: JS13 / UNI EN20286							Date
 S.p.A. PARRE - (Bergamo)	DESCRIPTION						Approved	
	SPINA INC.2P+T 16 (20) A OPTIMA IP67							CODICE