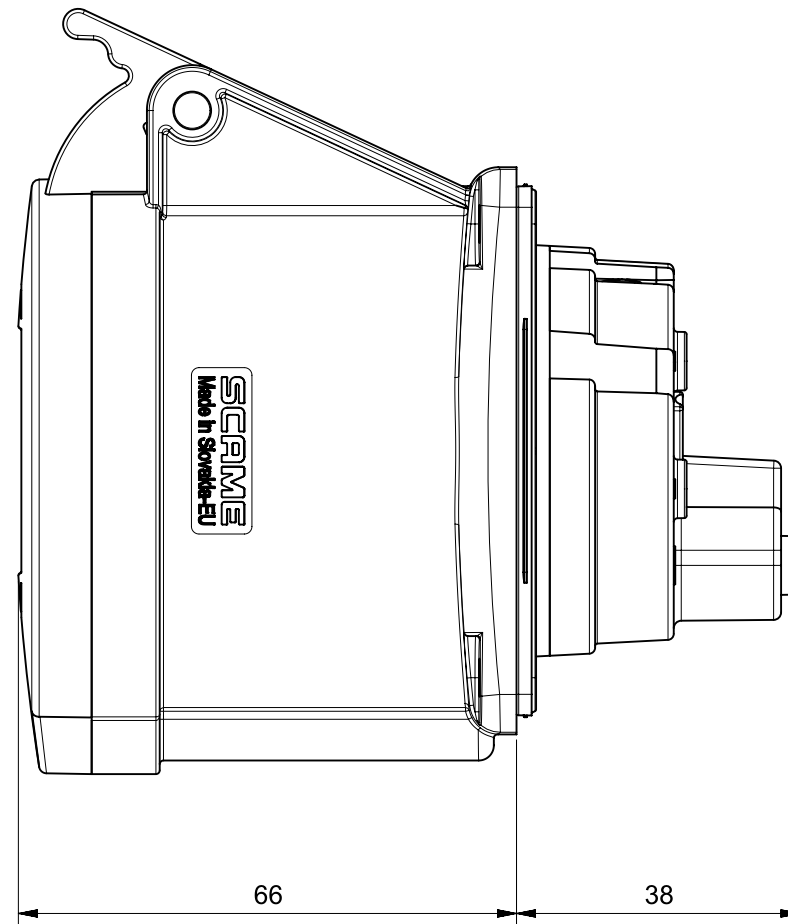


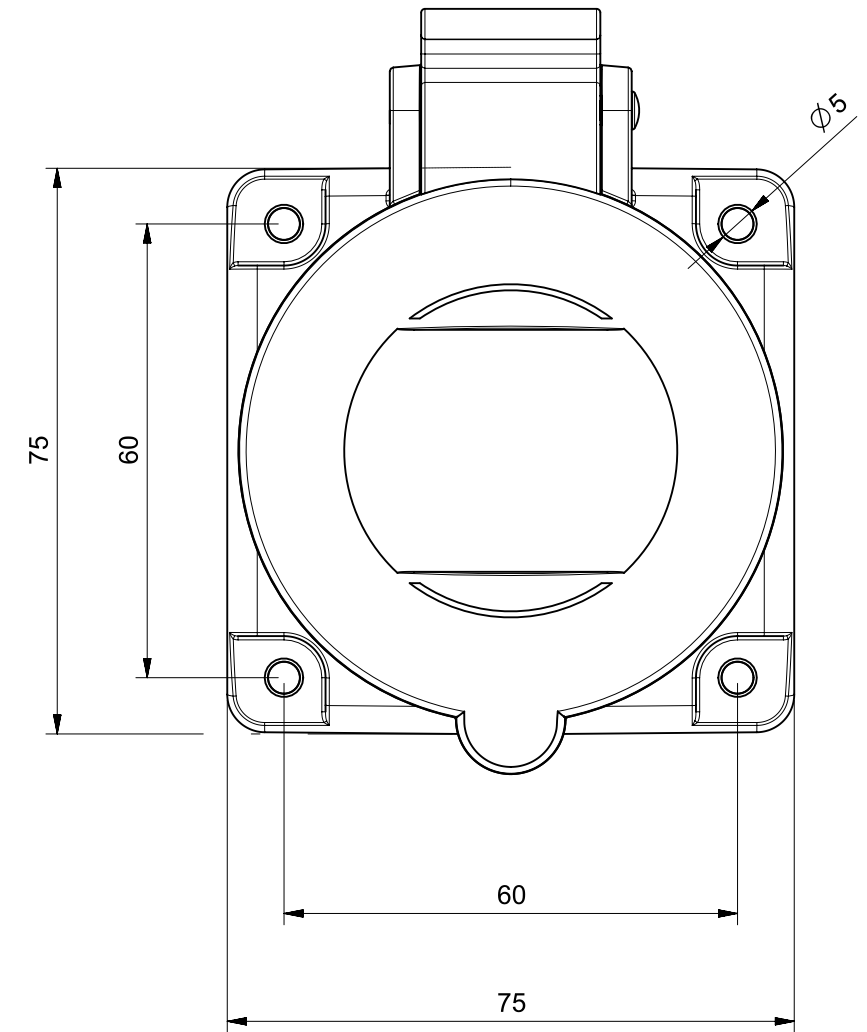
Ø 54

DIAMETRO FORATURA PANNELLO  
PANEL DRILLING HOLE



66

38



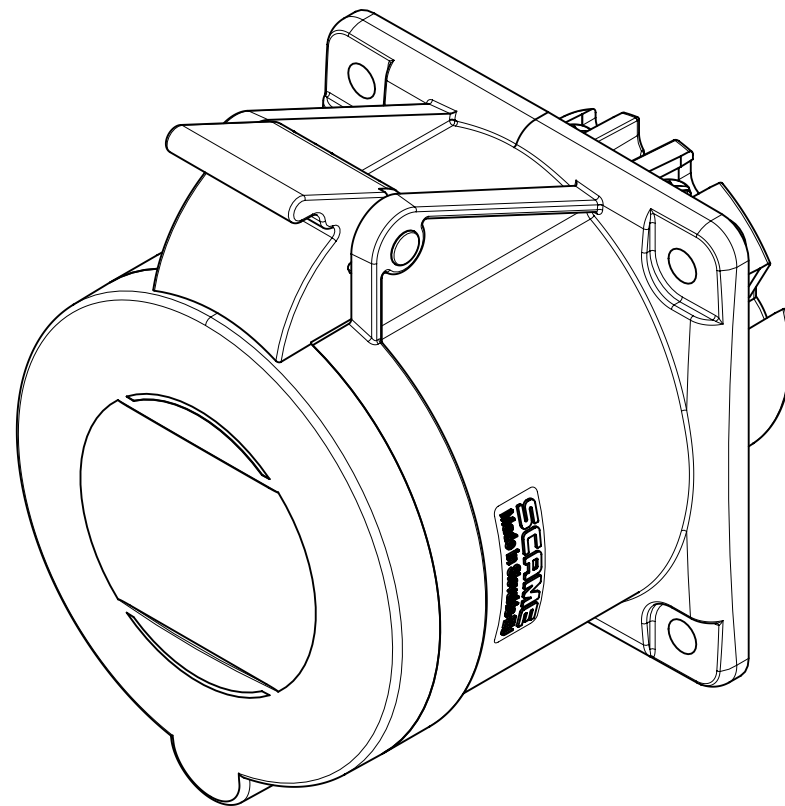
75

60

60

75

Ø5



IL DISEGNO SI RIFERISCE ALLA POSIZIONE 6h  
DWG REFERS TO CLOCK POSITION 6h

<p>At the end of the law, we reserve the ownership of this design may not be copied and transfer it to third parties or competitors</p> <p><b>SCAME</b> S.p.A. PARRE - (Bergamo)</p>	Format	A3	Scale	1:1	Mould N°		Drawn	SCAME	
	Tolerances for linear and angular dimensions without indication of specific tolerances: JS13 / UNI 286-1:2010							Date	gg-mm-aaaa
								Approved	
DESCRIPTION							CODICE Sheet 1 / 1		
PRESA INC.DIR. 3P+N+T 32A IP44 FLANGIA 75x75							4006957		