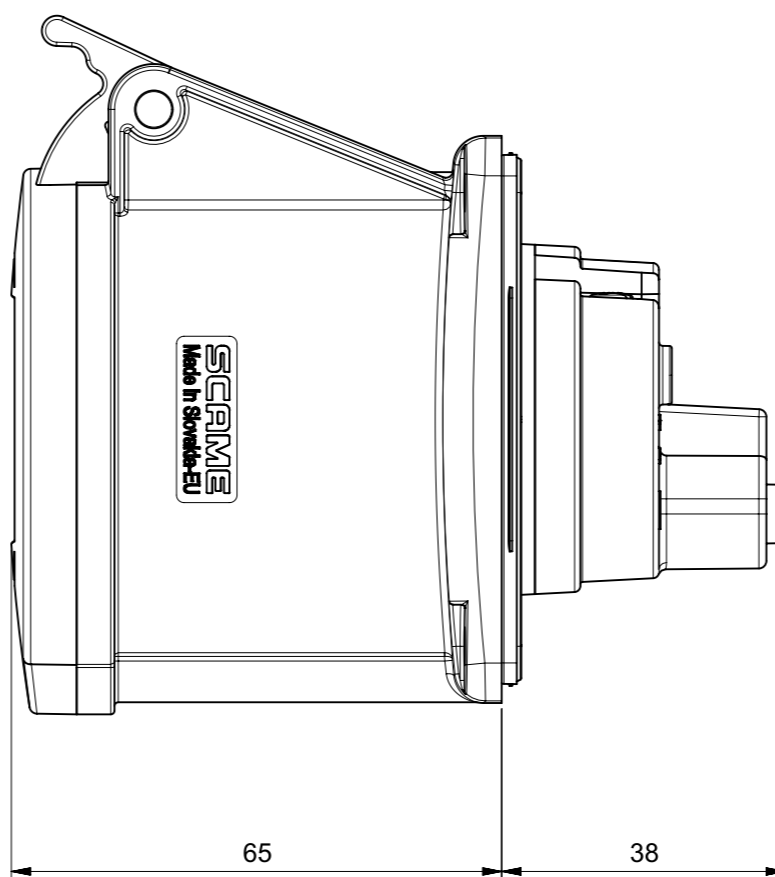


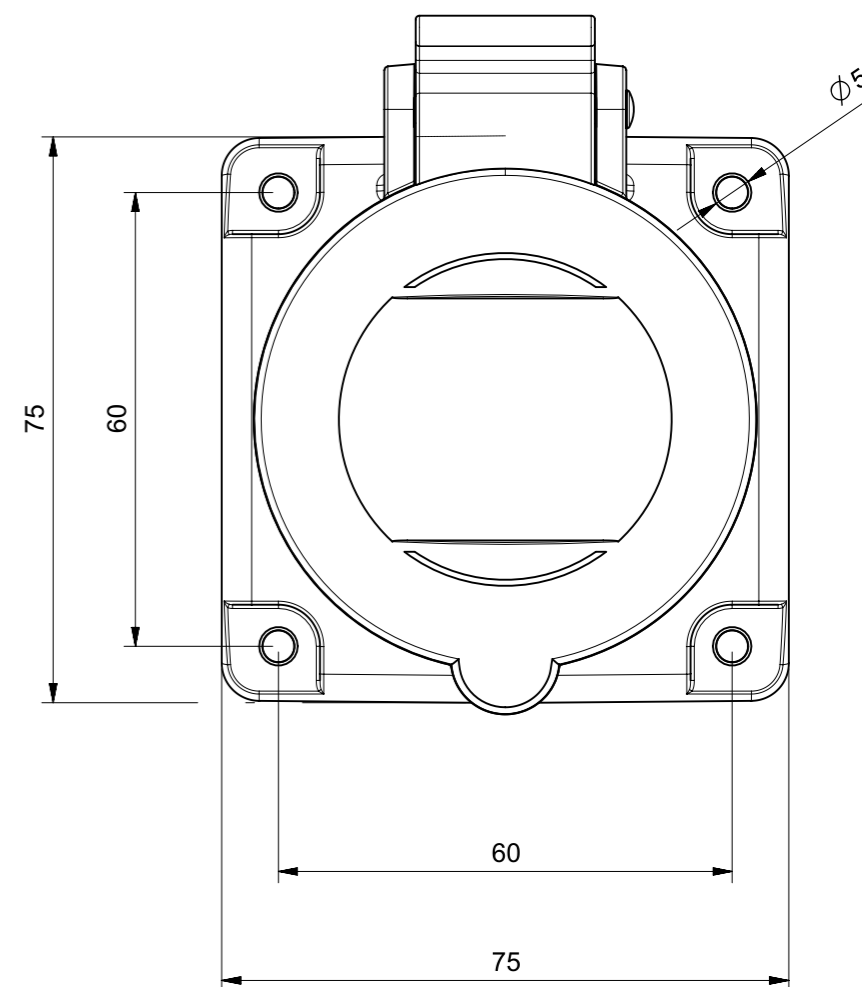
Ø 53

DIAMETRO FORATURA PANNELLO
PANEL DRILLING HOLE



65

38



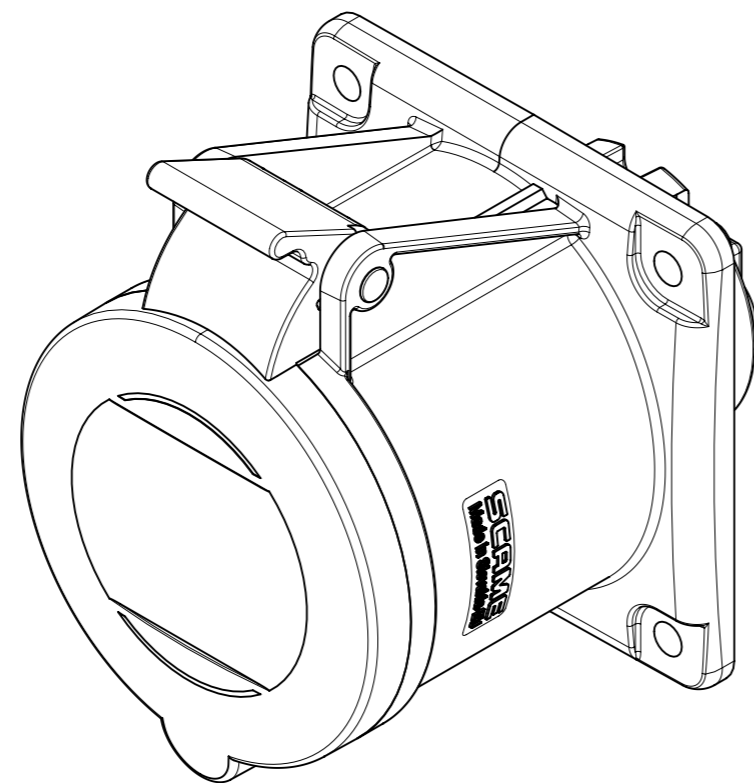
75

60

60

75

Ø5



IL DISEGNO SI RIFERISCE ALLA POSIZIONE 6h
DWG REFERS TO CLOCK POSITION 6h

<p>At the end of the law, we reserve the ownership of this design may not be copied and transfer it to third parties or competitors</p> <p>SCAME S.p.A. PARRE - (Bergamo)</p>	Format	A3	Scale	1:1	Mould N°		Drawn	SCAME	
	Tolerances for linear and angular dimensions without indication of specific tolerances: JS13 / UNI 286-1:2010							Date	gg-mm-aaaa
	DESCRIPTION							Approved	
PRESA INC.DIR. 2P+T 32A IP44 FLANGIA 75x75							CODICE Sheet 1 / 1		
							4006953		