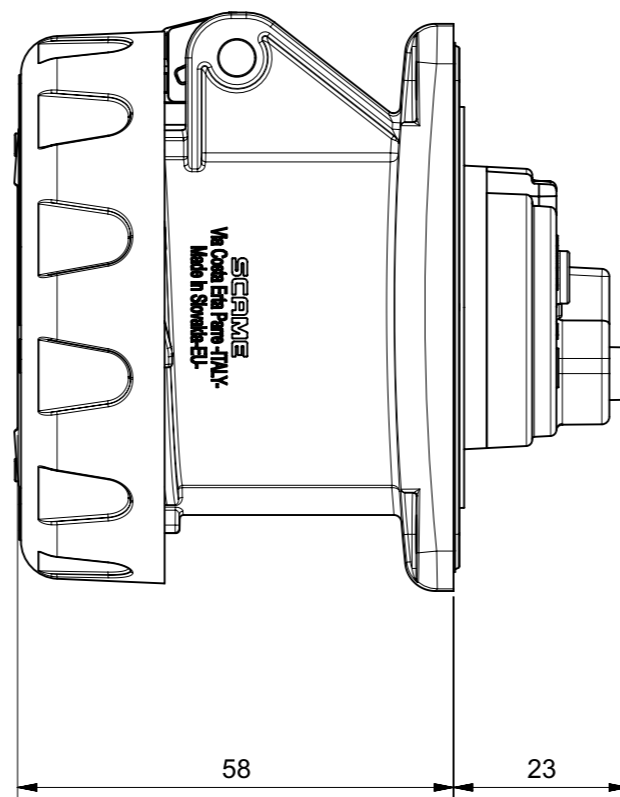


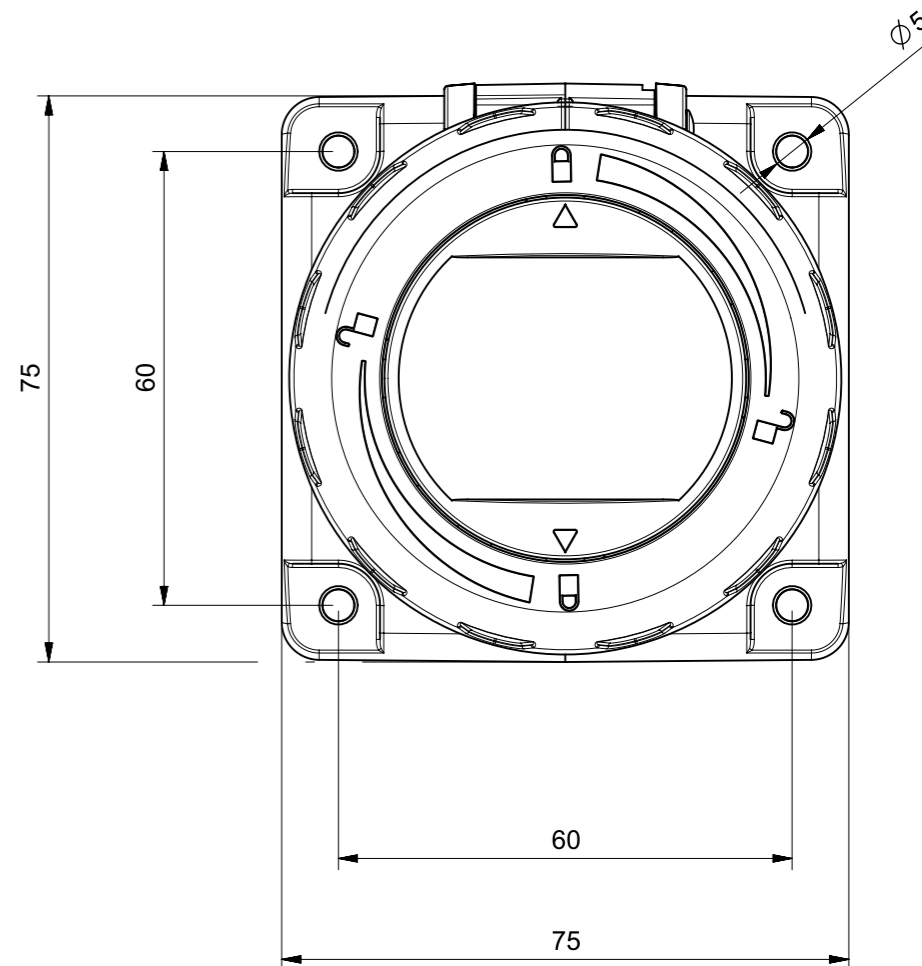
Ø 53

DIAMETRO FORATURA PANNELLO
PANEL DRILLING HOLE



58

23



75

60

60

75

Ø 5

IL DISEGNO SI RIFERISCE ALLA POSIZIONE 6h
DWG REFERS TO CLOCK POSITION 6h

| | | | | | | | | | |
|--|---|----|-------|-----|----------|--|--------------------|----------|------------|
| <p>At the end of the law, we reserve the ownership of this design may not be copied and transfer it to third parties or competitors</p> <p>SCAME S.p.A. PARRE - (Bergamo)</p> | Format | A3 | Scale | 1:1 | Mould N° | | Drawn | SCAME | |
| | Tolerances for linear and angular dimensions without indication of specific tolerances: JS13 / UNI 286-1:2010 | | | | | | | Date | gg-mm-aaaa |
| | DESCRIPTION | | | | | | | Approved | |
| PRESA INC.DIR. 2P+T 16A IP67 FLANGIA 75x75 | | | | | | | CODICE Sheet 1 / 1 | | |
| | | | | | | | 4006948 | | |