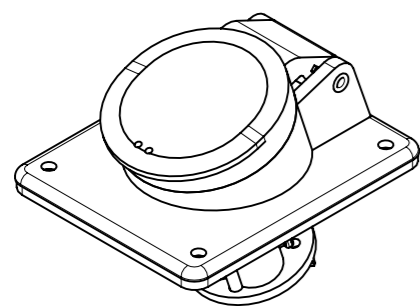





DIMA DI FORATURA  
PATTERN DRILLING



At the end of the law, we reserve the ownership of this design may not be copied and transfer it to third parties or competitors	Format	A3	Scale	1:1	Mould N°	1000XXXX	Drawn	SCAME	
	Tolerances for linear and angular dimensions without indication of specific tolerances: JS13 / UNI 286-1:2010						 	Date	gg-mm-aaaa
								Approved	
 S.p.A. PARRE - (Bergamo)	DESCRIPTION						CODICE Sheet 1 / 1		
PRESA INCASSO 3P 32A IP44 BASSISSIMA TENSIONE						4006084			