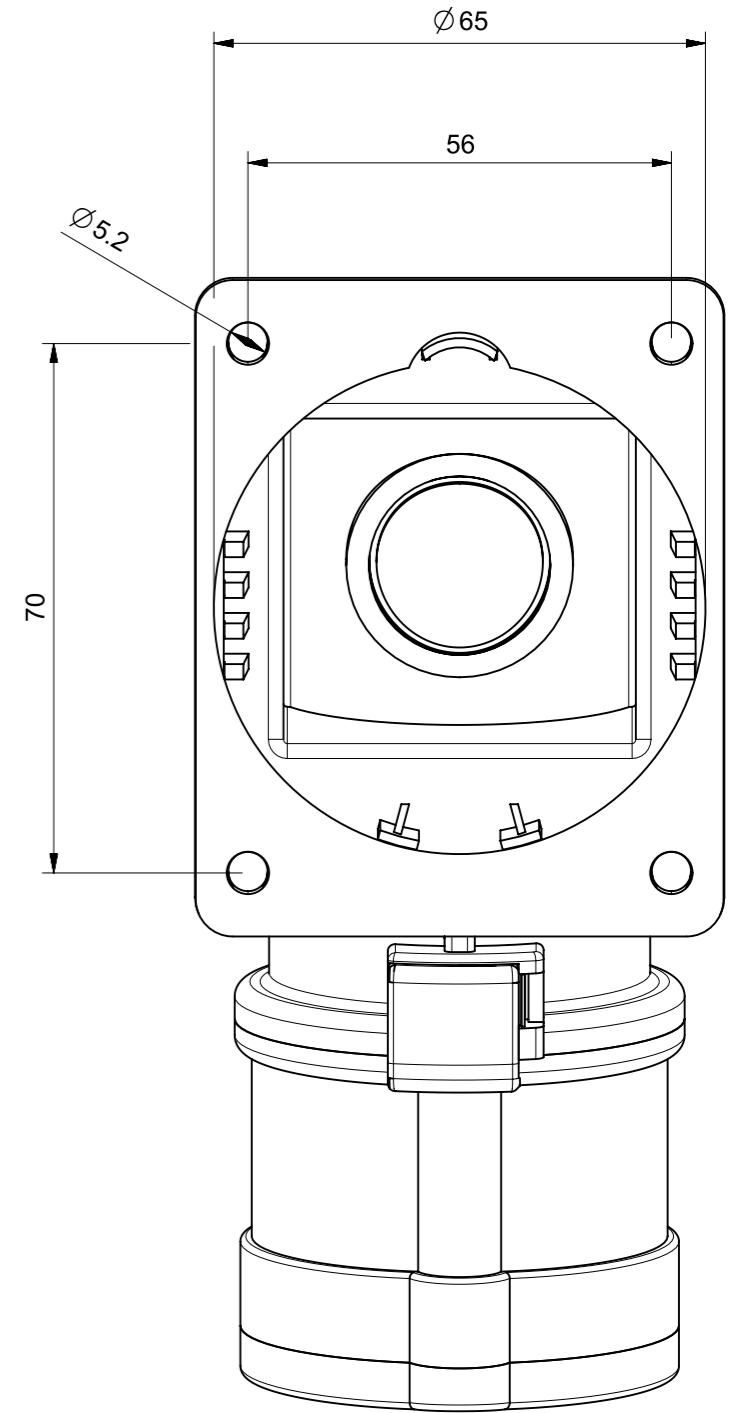


DIAMETRO MASSIMO FORATURA PANNELLO  
MAX PANEL DRILLING HOLE



At the end of the law, we reserve the ownership of this design may not be copied and transfer it to third parties or competitors	Format	A3	Scale	1:1	Mould N°	1000XXXX	Drawn	SCAME	
	Tolerances for linear and angular dimensions without indication of specific tolerances: JS13 / UNI 286-1:2010							Date	gg-mm-aaaa
								Approved	
<b>SCAME</b> S.p.A. PARRE - (Bergamo)	DESCRIPTION						CODICE Sheet 1 / 1		
PRESA FISSA DA PARETE 3P+T 16A IP44						4006467			