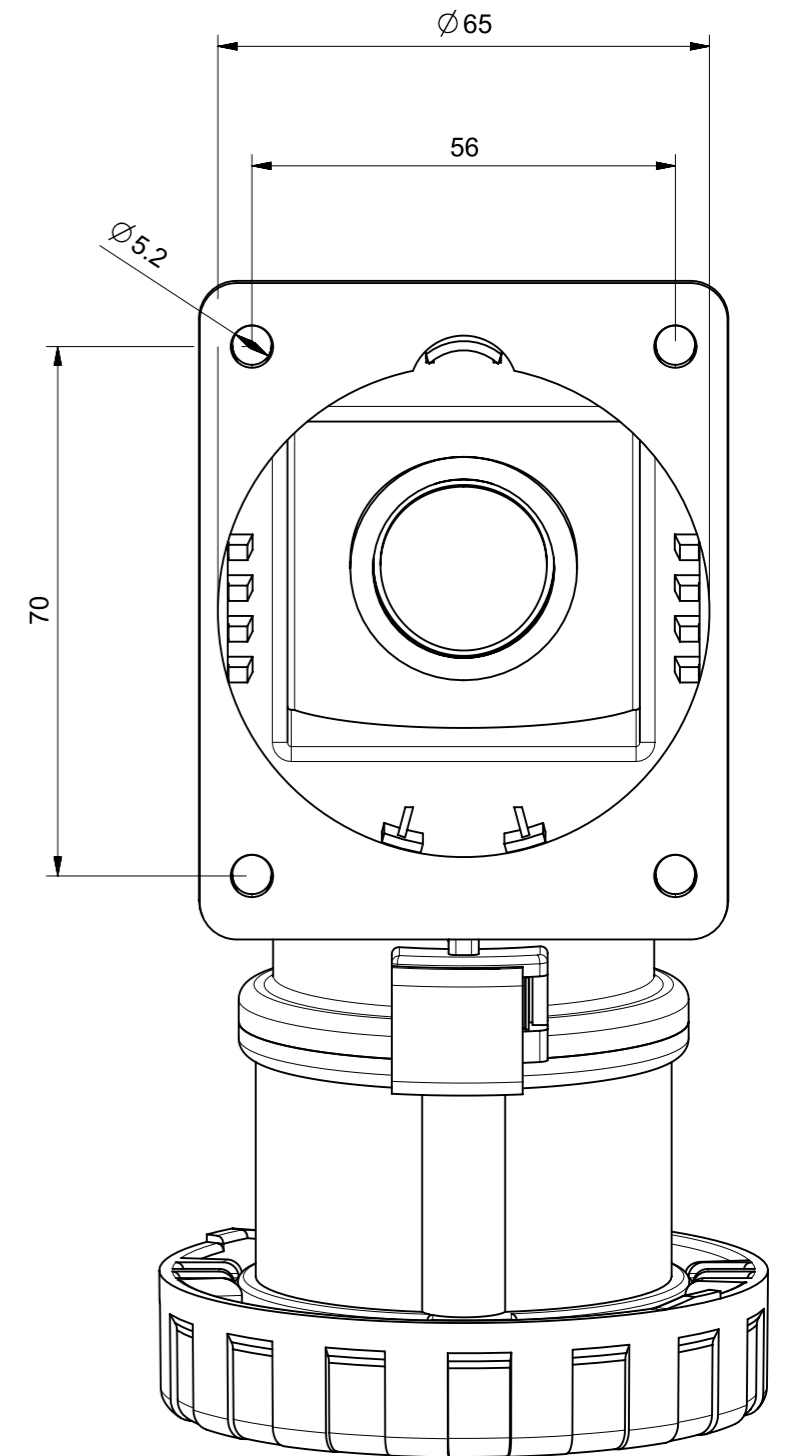


DIAMETRO MASSIMO FORATURA PANNELLO
MAX PANEL DRILLING HOLE



<p>At the end of the law, we reserve the ownership of this design may not be copied and transfer it to third parties or competitors</p> <p>SCAME S.p.A. PARRE - (Bergamo)</p>	Format	A3	Scale	1:1	Mould N°	1000XXXX	Drawn	SCAME	
	Tolerances for linear and angular dimensions without indication of specific tolerances: JS13 / UNI 286-1:2010							Date	gg-mm-aaaa
	DESCRIPTION						Approved		
PRESA FISSA DA PARETE 3P+T 16A IP67						CODICE		Sheet 1 / 1	
						4006473			