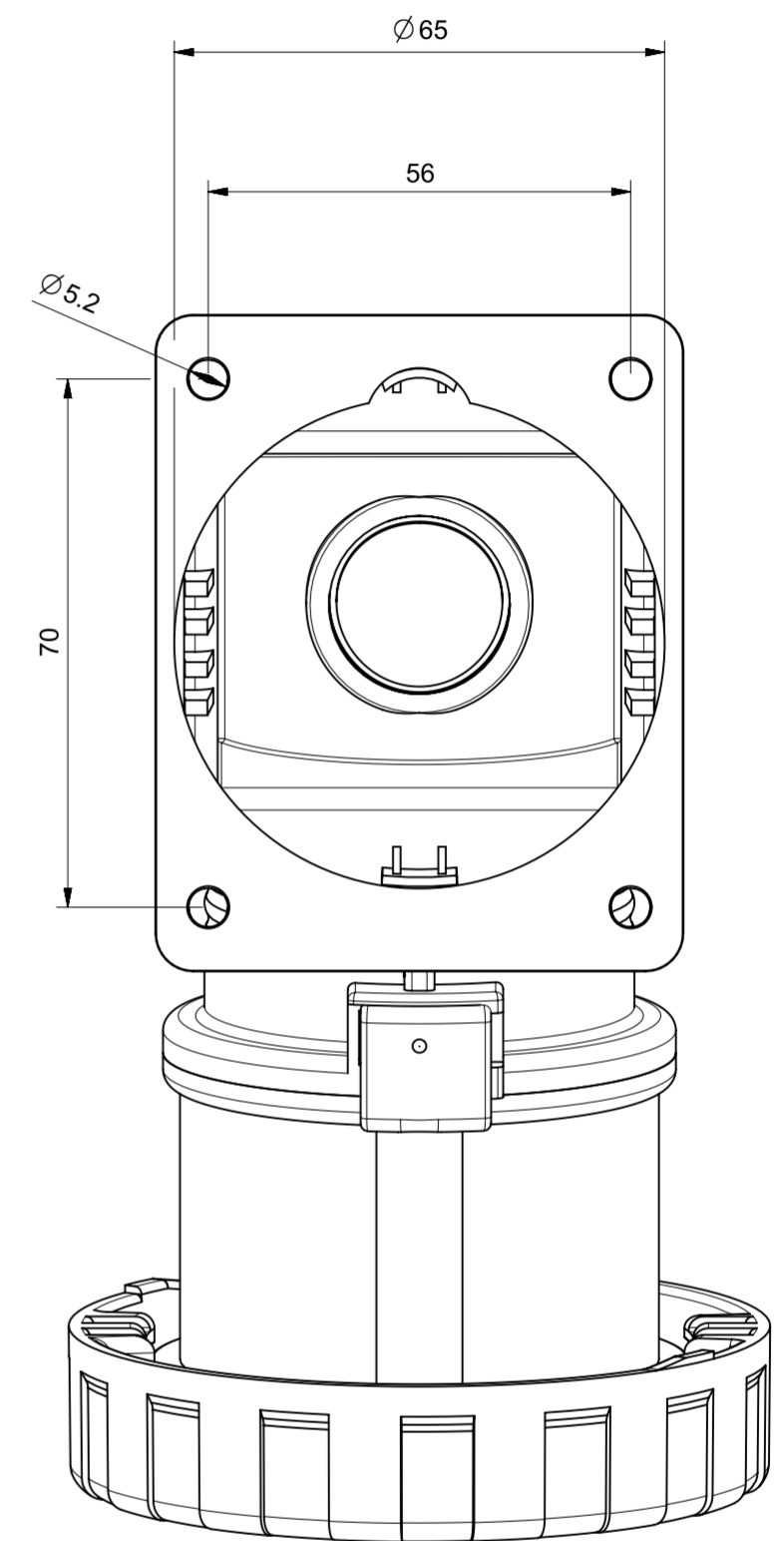


DIAMETRO MASSIMO FORATURA PANNELLO  
MAX PANEL DRILLING HOLE



<p>At the end of the law, we reserve the ownership of this design may not be copied and transfer it to third parties or competitors</p> <p><b>SCAME</b> S.p.A. PARRE - (Bergamo)</p>	Format	A2	Scale	1:1	Mould N°	1000XXXX	Drawn	SCAME	
	Tolerances for linear and angular dimensions without indication of specific tolerances: JS13 / UNI 286-1:2010							Date	gg-mm-aaaa
	DESCRIPTION							Approved	
PRESA FISSA DA PARETE 2P+T 32A IP67							CODE	Sheet 1 / 1	
								4006475	