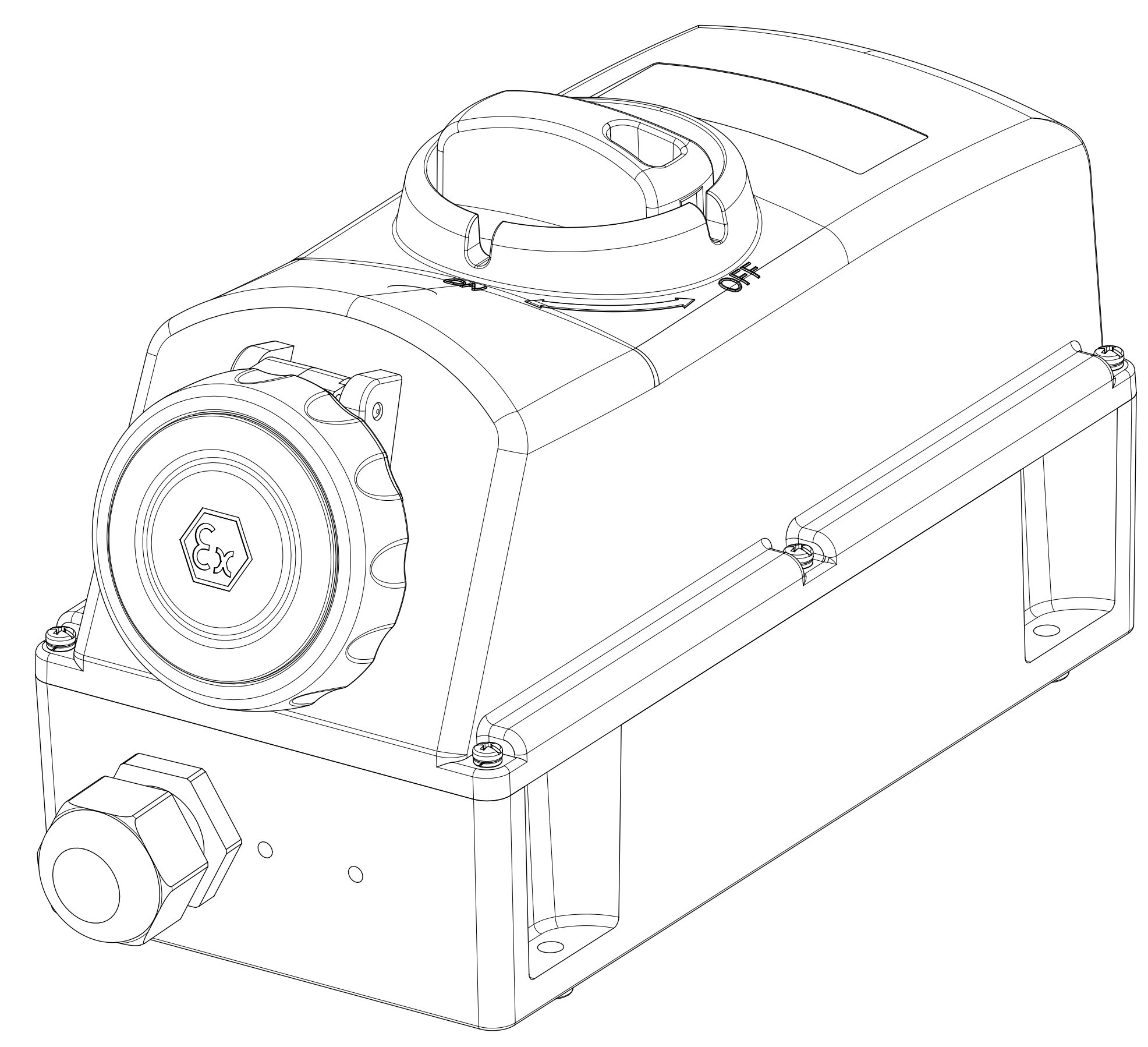
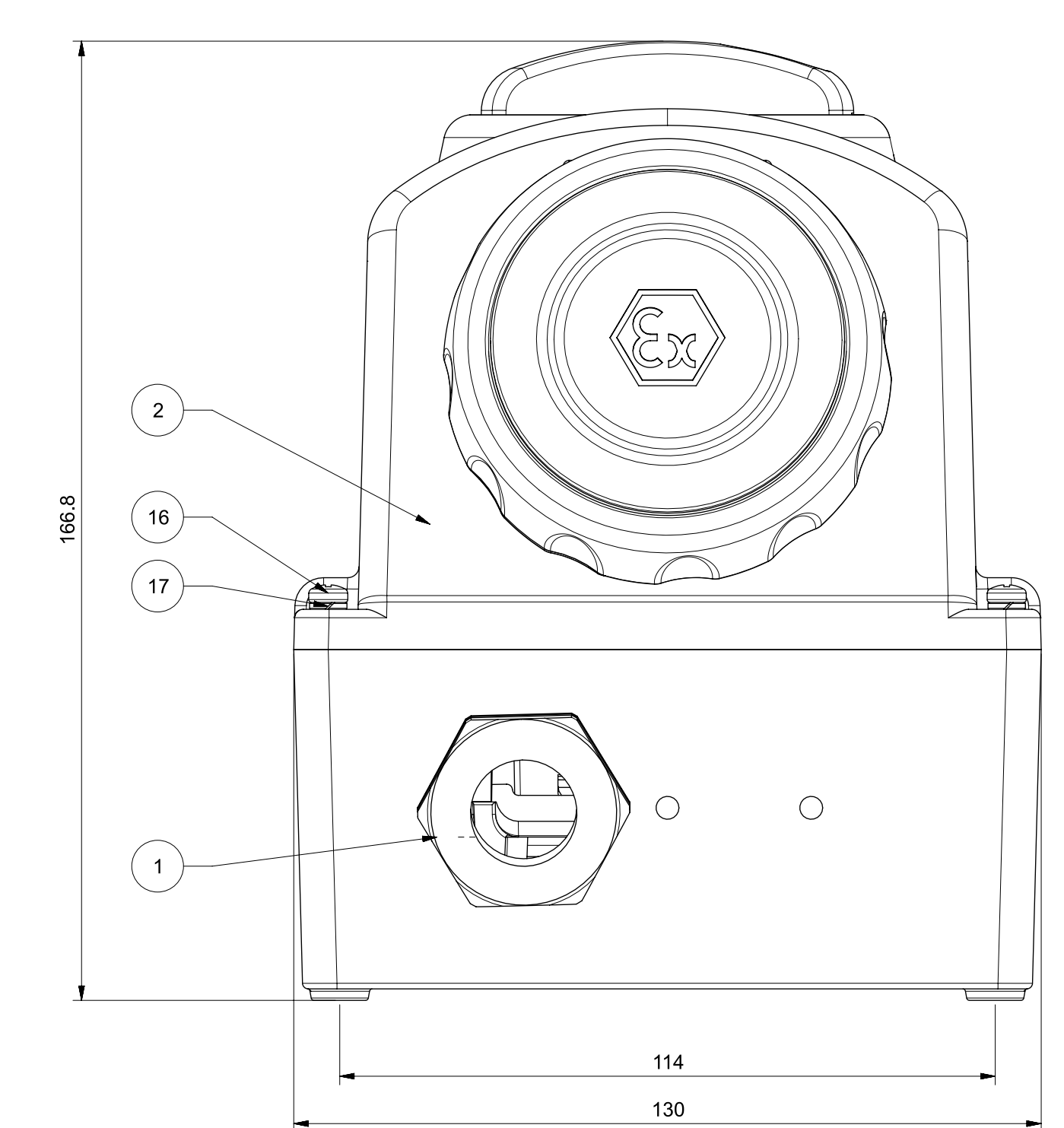
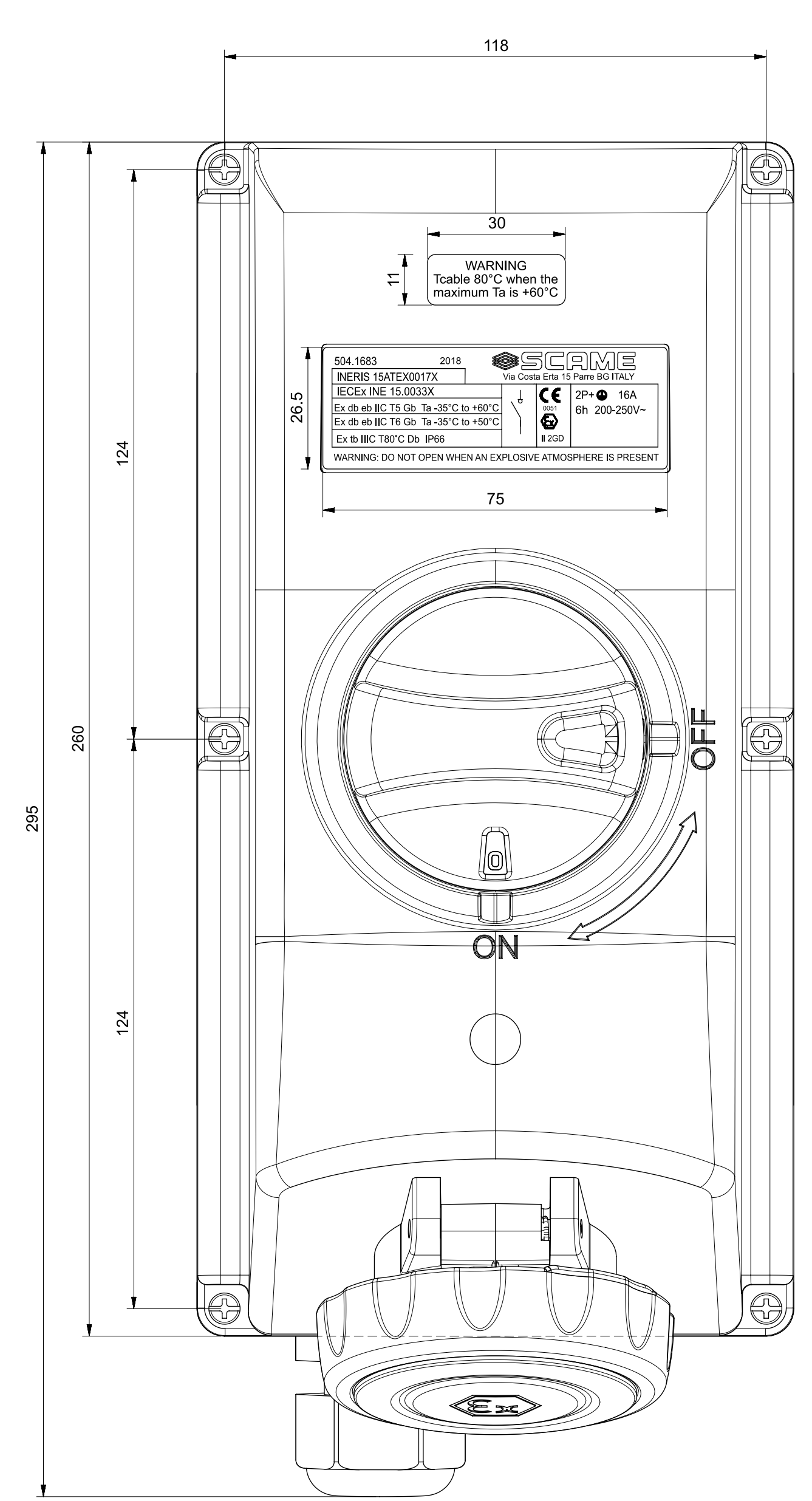
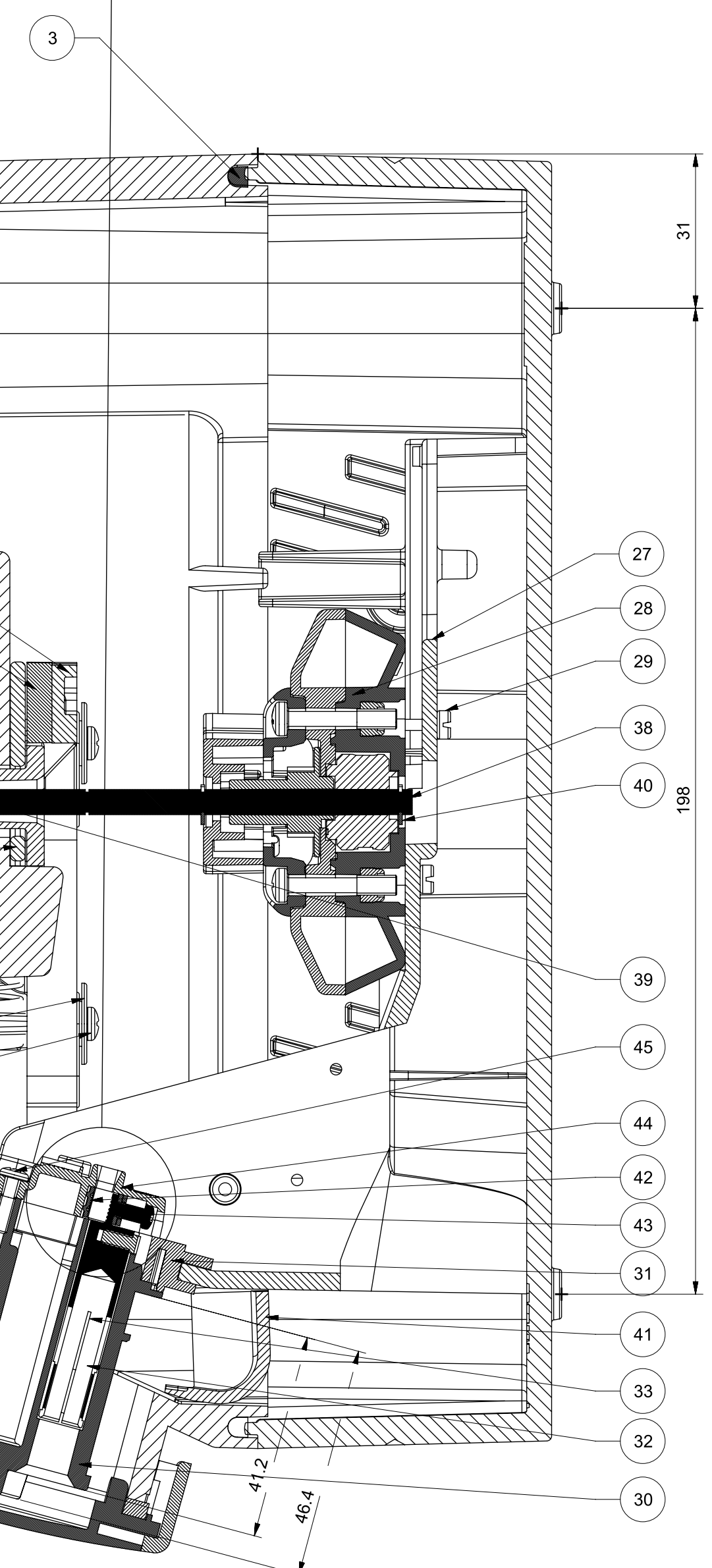


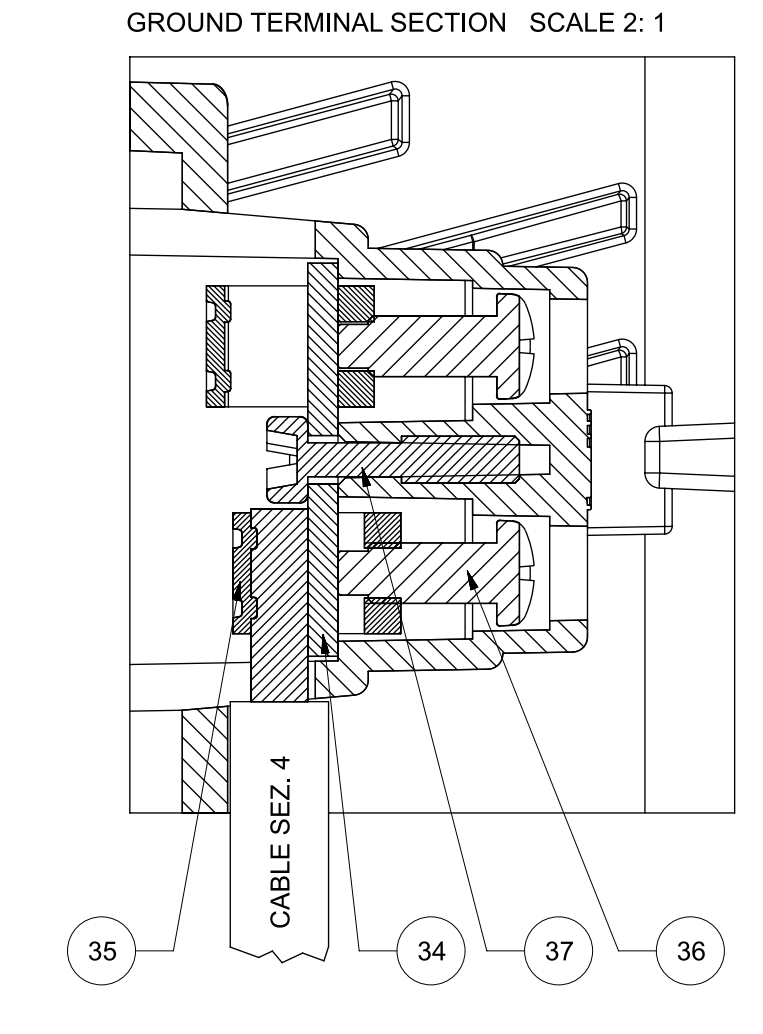
SCALE 3:1



A-A



GROUND TERMINAL SECTION SCALE 2:1



POS.	CODE	DESCRIPTION	Q.TY	UM	DRAWING
46	MP38432	SILICON SEAL LOXEAL 59-20	3	G	
45	MP26606	SCREW 3X11	3	NR	4000912
44	SL20710	COVER EX ZONE1 2P+T 16A	1	NR	4000056
43	MP22037	SCREW M3x6 INOX A2 DIN7985	3	NR	4000913
42	MP06257	MANTLE TERMINAL 16A	3	NR	4000914
41	SL20407	LEVER LOCK GRP 2P + T 16A	1	NR	
40	MP38001	ELASTIC RING 4 UNI 7434-75	1	NR	
39	MP38028	SPIRAL ELASTIC PIN 2X16 UNI6875	1	NR	
38	MP32348	SHAFT Q5 L = 78.2 - 4 CAVE GRP + ISOLATORS	1	NR	4005685
37	MP26691	SCREW 3x14 PH2	1	NR	
36	MP38004	SCREW M4x10,5	2	NR	
35	SL20230	HARDENED/GALVANIZED CONTACT TERMINAL	2	NR	4000974
34	SL20813	GROUND PLATE FOR GRP ZONE1	1	NR	4000098
33	SC51192	EARTH SLEEVE 16A ZONE 1	1	NR	
32	SC51190	PHASE SLEEVE 16A ZONE1	2	NR	
31	SL20392	SOCKET FLANGE GRP 2P + T 16A	1	NR	
30	SL20721	CONTACT CARRIER EX ZONE1 2P+T 16A	1	NR	4000071
29	MP26607	SCREW 3x12 PH2	4	NR	4000515
28	SC60005	EX ZONE1-2 16/32 2P SWITCH ASSEMBLY	1	NR	
27	SL20754	CONTACT CARRIER SUPPORT ZONE1 GRP 16A	1	NR	4000078
26	MP26240	SCREW 3.5x35 TORX 15	1	NR	
25	SL20756	ECCENTRIC FOR GRP 16 / 32A ZONE1	1	NR	4000090
24	SL25371	ECCENTRIC SPACER X GRP 16 / 32A ZONE1	1	NR	4000102
23	SL20757	SPACER FOR GRP KNOB 16 / 32A	1	NR	4000091
22	SL20728	ON / OFF KNOB FOR ZONE1 16-32A	1	NR	
21	SL20419	OFF PLATE FOR GRP 16 / 32A	1	NR	
20	SL20418	ON PLATE FOR GRP 16 / 32A	1	NR	
19	MP14629	LUBRIFICANT CAD-OIL PERF/FLUO 80	1	G	
18	MP38185	GASKET OR 4112 D.28,17x3,53 SIL70SH RED	1	NR	
17	MP37846	GROWER WASHER D.4 DIN7980	6	NR	
16	MP22142	SCREW M4x22 PH2 INOX	6	NR	4000320
15	MP40179	GASKET 2P+T 16A IP67 ZONE1	1	NR	4000919
14	SL20737	COVER 2P+T 16A IP67 ZONE1	1	NR	4000256
13	SL05151	PIN COVER RING GRP 16 / 32A	1	NR	
12	MP32193	COVER SPRING CEE INOX	1	NR	
11	SL20869	BLUE RING 2P+T 16A ZONA1	1	NR	4000262
10	MP26512	SCREW 3,5X13 INOX	4	NR	4001007
9	MP30209	WASHER D.4,5-16 X 1 INOX	4	NR	
8	MP32107	BUTTON SPRING FOR GRP 16 / 32A	2	NR	
7	SL20749	LOCK BUTTON GRP LEFT 2P + T 16A	1	NR	4000085
6	SL20744	LOCK BUTTON GRP RIGHT 2P + T 16A	1	NR	4000080
5	MP26687	SCREW 3X12	2	NR	4000915
4	SL20604	SLIDE SEAT CAP GRP 16A ANTHRACITE	1	NR	
3	MP40202	GASKET BASE GRP 16/32A ZONE1	1	NR	4000933
2	SL20794	COVER SOCKET GRP ZONE1 2P+T 16A	1	NR	4000103
1	SL20689	BASE GRP 16-32A ZONE1	1	NR	

At the end of the law, we reserve the ownership of this design may not be copied and transfer it to third parties or competitors

Format A1 Scale 1:1 Mould N° 1000XXXX Drawn SCAME Date Approved

DESCRIPTION GRP SOCKET 2P + T 16A IP66 ZONE1 / 21 CODE 4000894 Sheet 1 / 1