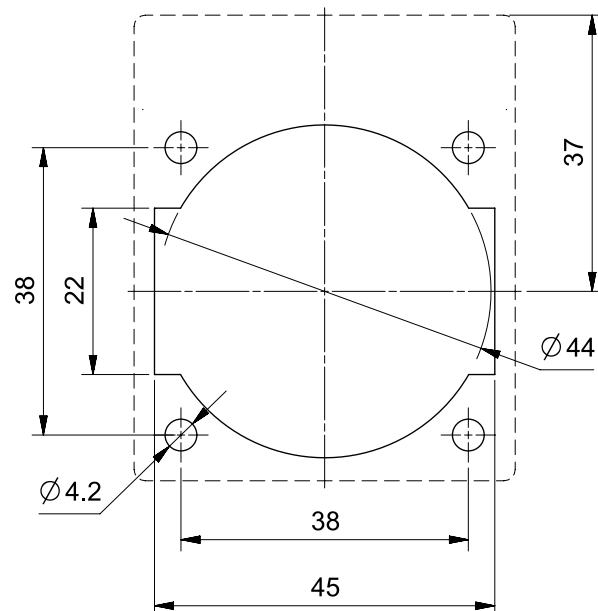


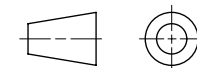
DIMA DI FORATURA  
DRILLING TEMPLATE



At the end of the law,  
we reserve the ownership  
of this design may not  
be copied and transfer it  
to third parties or competitors

**SCAME**  
S.p.A.  
PARRE - (Bergamo)

Format	A4O	Scale	1:1	Mould N°	
Tolerances for linear and angular dimensions without indication of specific tolerances: JS13 / UNI EN20286					



Drawn	SCAME
Date	
Approved	

DESCRIPTION	CODE
PRESA INCASSO PLURISTANDARD P40 16A 250V IP54 50x60	4008095

Sheet 1 / 1