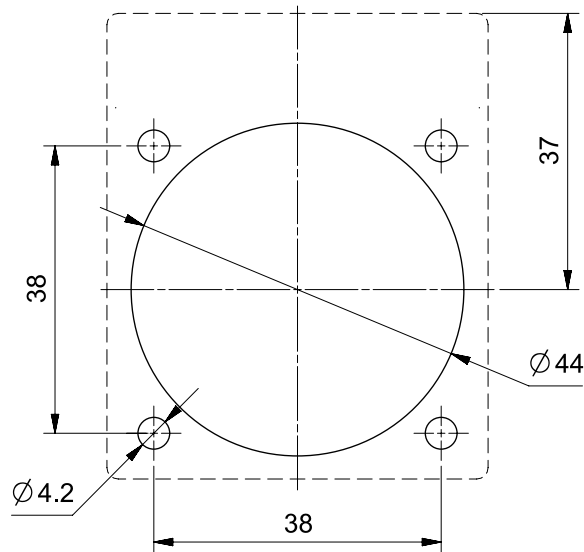


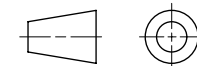
DIMA DI FORATURA
DRILLING TEMPLATE



At the end of the law,
we reserve the ownership
of this design may not
be copied and transfer it
to third parties or competitors

SCAME
S.p.A.
PARRE - (Bergamo)

Format	A4O	Scale	1:1	Mould N°
Tolerances for linear and angular dimensions without indication of specific tolerances: JS13 / UNI EN20286				



DESCRIPTION
PRESA INCASSO UNEL CON SHUTTER

Drawn	SCAME
Date	
Approved	
CODE	Sheet 1 / 1
4008234	