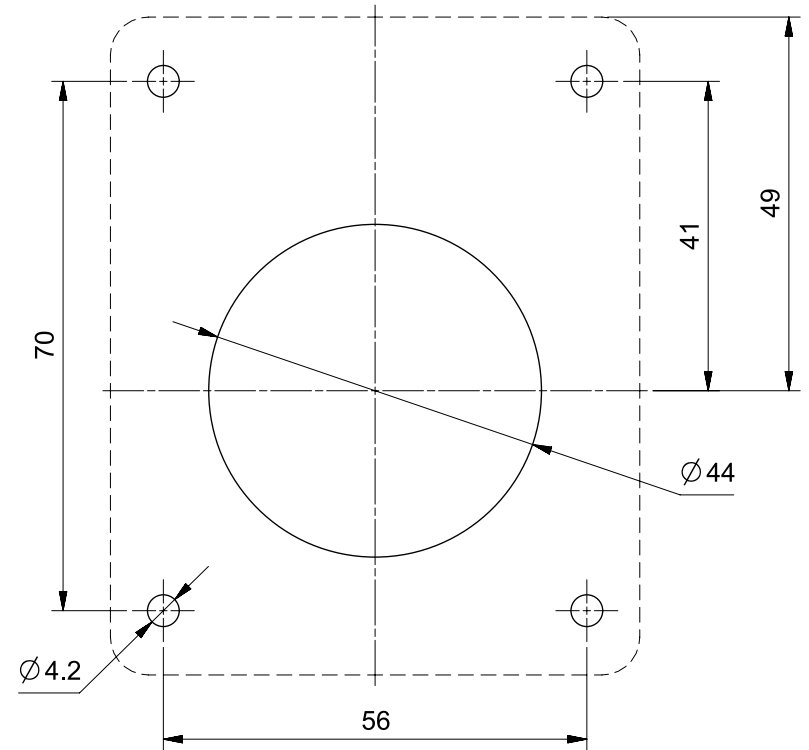


DIMA DI FORATURA
DRILLING TEMPLATE



| | | | | | | | |
|---|---|-----|-------|-----|----------|----------|-------------|
| <p>At the end of the law, we reserve the ownership of this design may not be copied and transfer it to third parties or competitors</p> | Format | A4O | Scale | 1:1 | Mould N° | Drawn | SCAME |
| | <p>Tolerances for linear and angular dimensions without indication of specific tolerances: JS13 / UNI EN20286</p> | | | | | | Date |
| <p>SCAME S.p.A. PARRE - (Bergamo)</p> | <p>DESCRIPTION</p> <p>PR.INC.BIVAL. IP54</p> | | | | | Approved | |
| | | | | | | CODE | Sheet 1 / 1 |