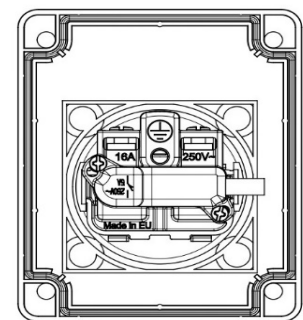
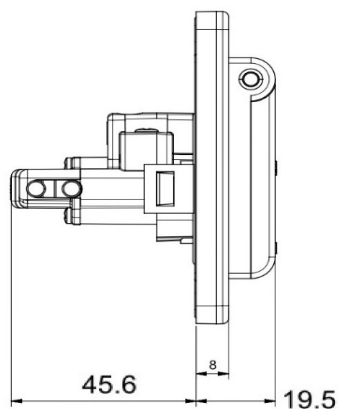
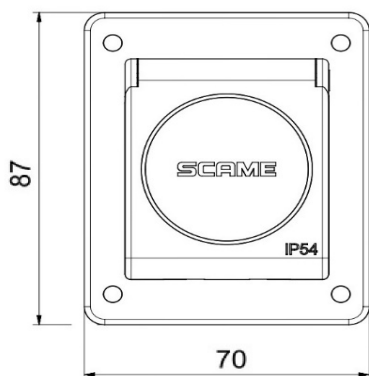
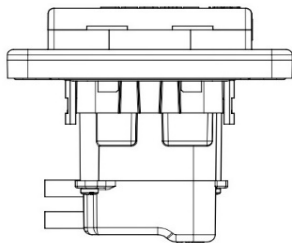


## 570.4091N-SW

Flush mounting French socket with with 70x87mm flange



### > DIMENSION



### > REFERENCE STANDARD

#### IEC 60884-1

Plugs and socket-outlets for household and similar purposes.

Part. 1: General requirements.

### > TECHNICAL CHARACTERISTICS

Rated current:	<b>16A</b>
Rated voltage:	<b>200-250VAC</b>
Frequency:	<b>50-60Hz</b>
Insulating voltage:	<b>250V</b>
Protection degree:	<b>IP54 (IPXXD)</b>
Operating temperature:	<b>-25°C +35°C</b>
Material:	<b>Engineering plastic</b>
Glow wire test:	<b>650-750°C</b>
IK degree at 20°C:	<b>IK08</b>
Color:	<b>Black</b>
Number of poles:	<b>L1-N-PE</b>
Connection capability:	<b>1-4mm<sup>2</sup></b>
Salt mist:	<b>Resistant</b>
UV radiation:	<b>Resistant</b>

### > EQUIPMENTS

1 switch: plug presence