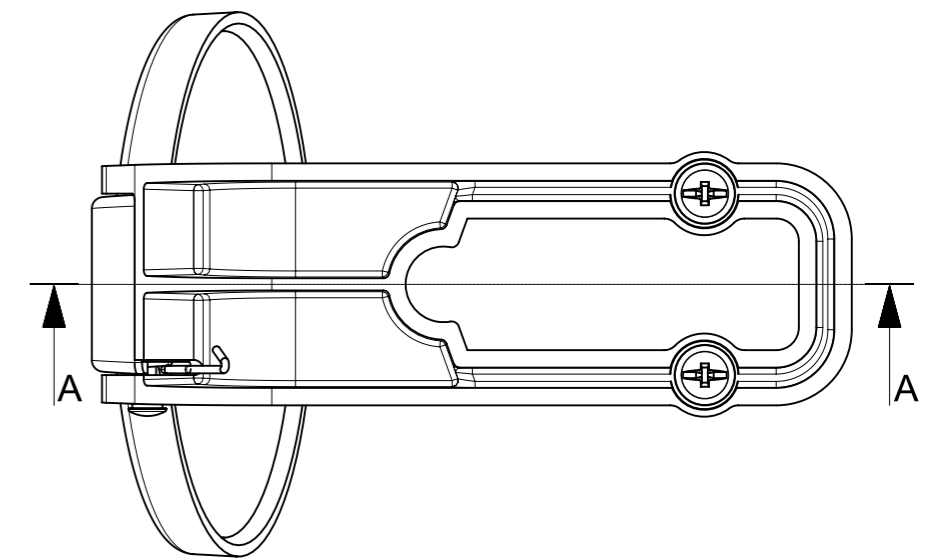
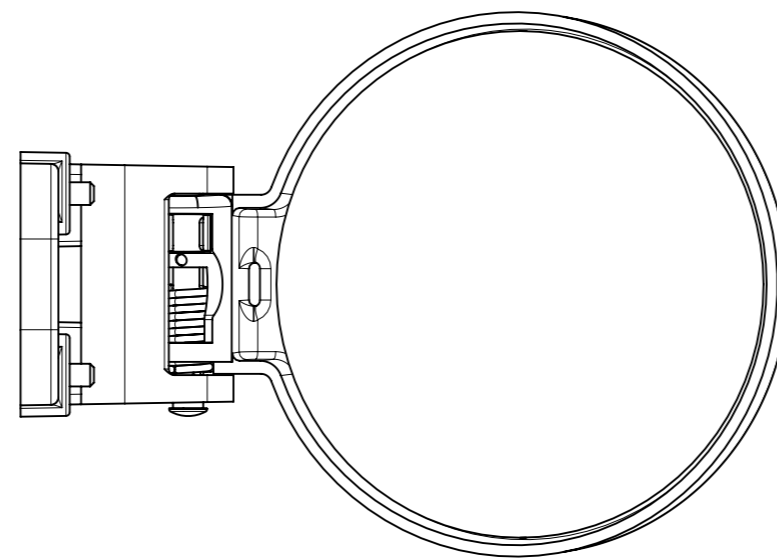
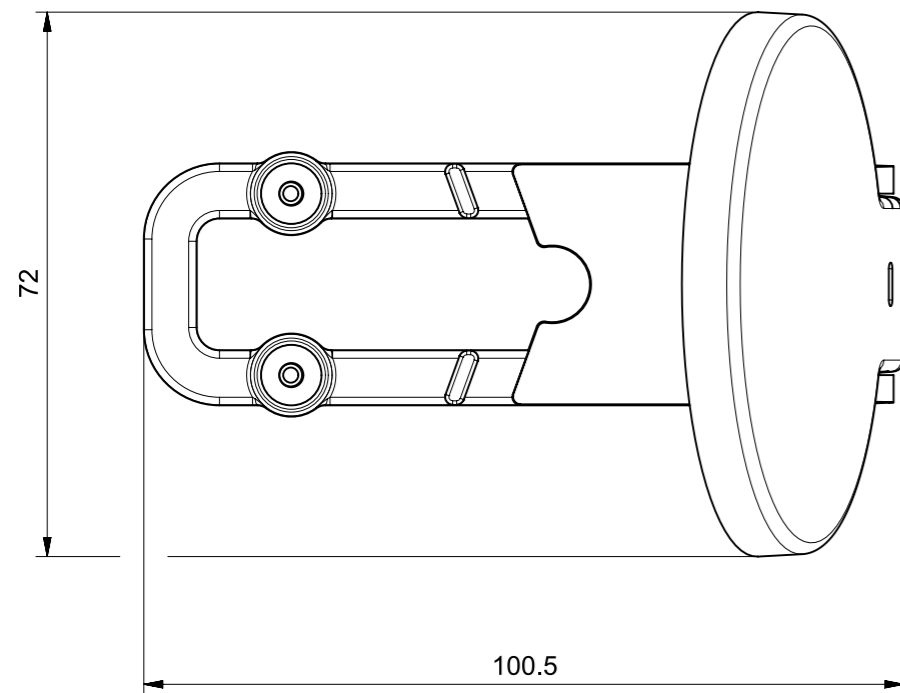
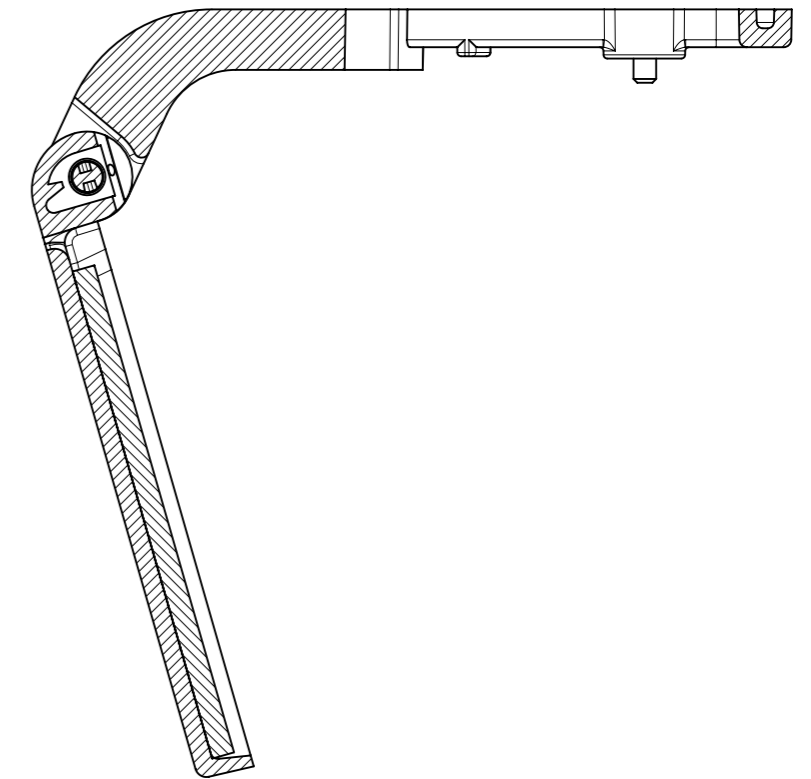




Sezione A-A



At the end of the law, we reserve the ownership of this design may not be copied and transfer it to third parties or competitors	Format	A3	Scale	1:1	Mould N°		Drawn	RUGGERI
	Tolerances for linear and angular dimensions without indication of specific tolerances: JS13 / UNI 286-1:2010						 	Date
<b>SCAME</b> S.p.A. PARRE - (Bergamo)	DESCRIPTION						Approved	
	COP.SPINE PARETE 32A E 3P+N+T 16A							CODICE