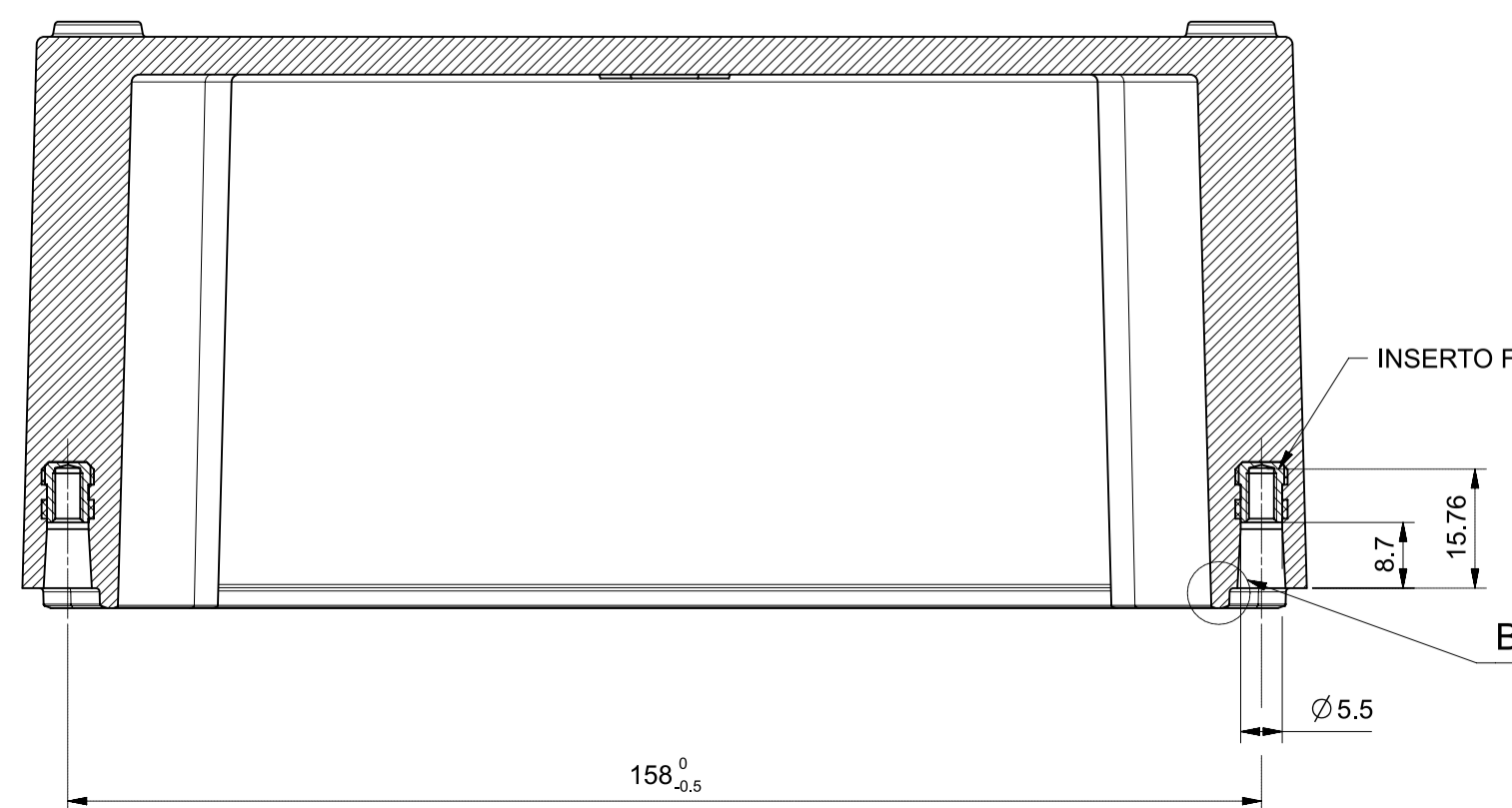
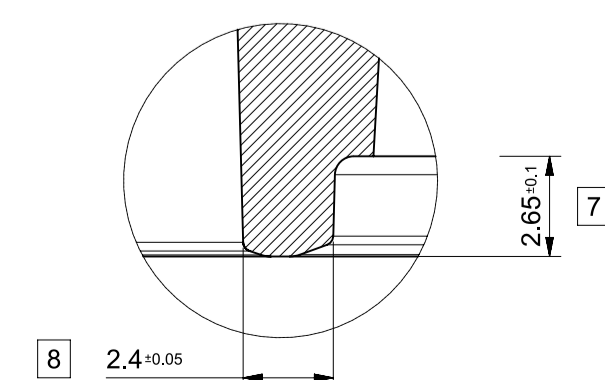


Sezione A-A



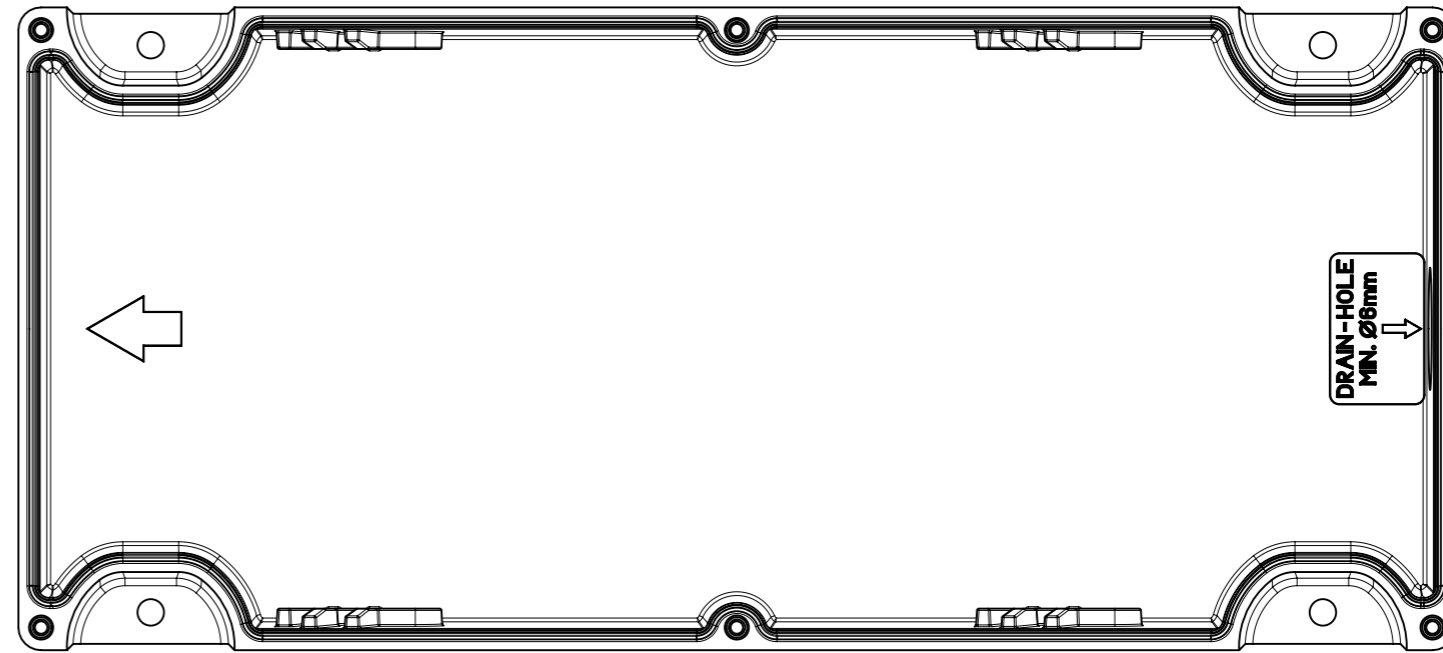
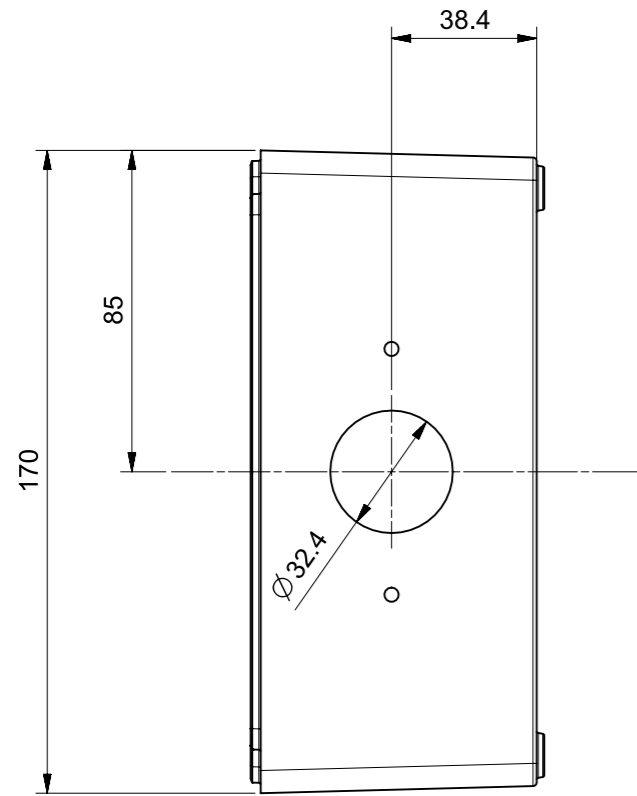
Scala 5:1  
Particolare B



VEDERE FOGLI SUCCESSIVI PER FORATURE

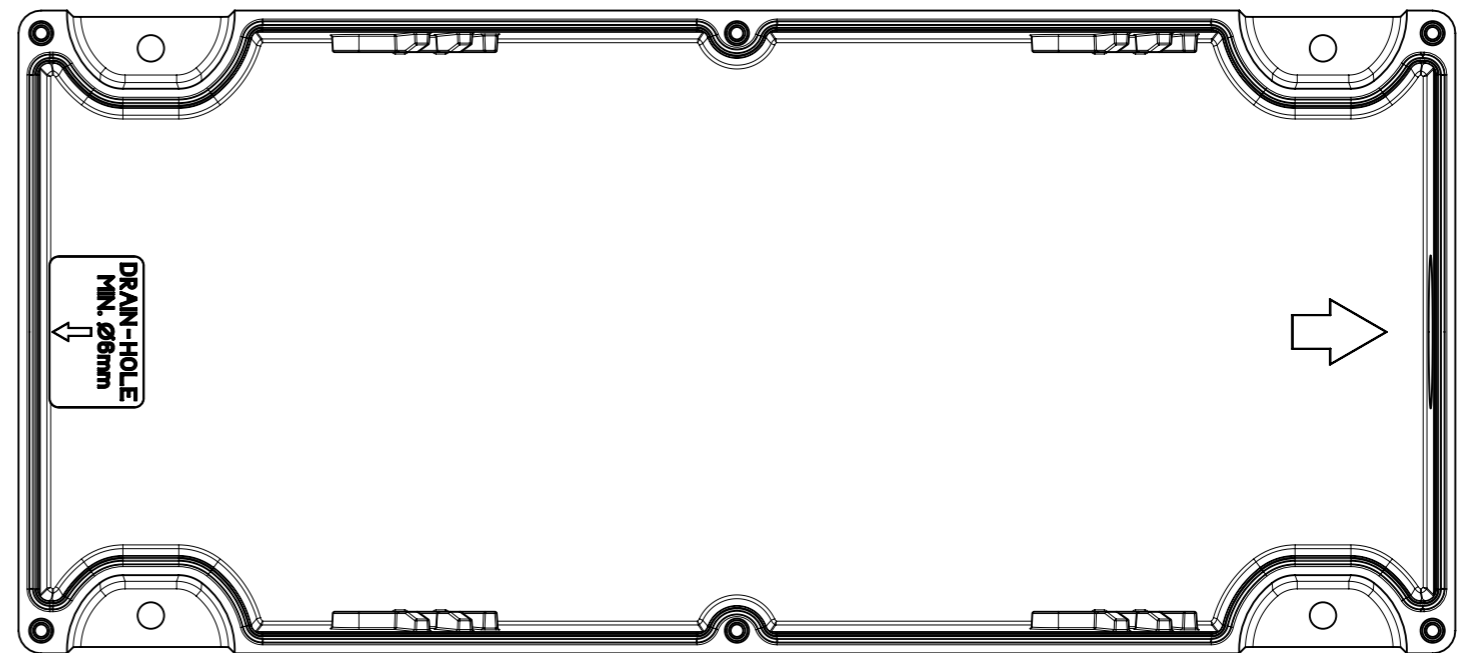
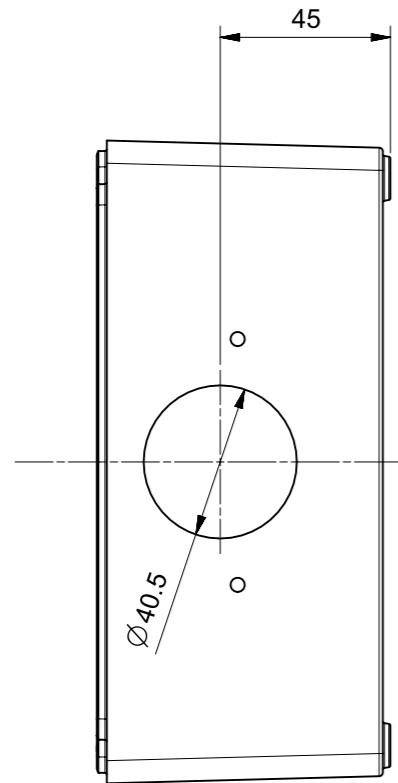
|   |   |    |       |     |          |          |             |           |
|---|---|----|-------|-----|----------|----------|-------------|-----------|
| At the end of the law, we reserve the ownership of this design may not be copied and transfer it to third parties or competitors<br><b>SCAME</b><br>S.p.A.<br>PARRE - (Bergamo) | Format  | A1 | Scale | 1:1 | Mould N° | 30001046 | Drawn       | L. Valoti |
|   | Tolerances for linear and angular dimensions without indication of specific tolerances: JS13 / UNI 286-1:2010 |    |       |     |          |          |             | Date      |
| DESCRIPTION<br><b>BASE PER PRESE GRP 63A Zona1</b>  |   |    |       |     |          |          | Approved    |           |
| CODE<br><b>4003061</b>  |   |    |       |     |          |          | Sheet 1 / 4 |           |

# SL02042



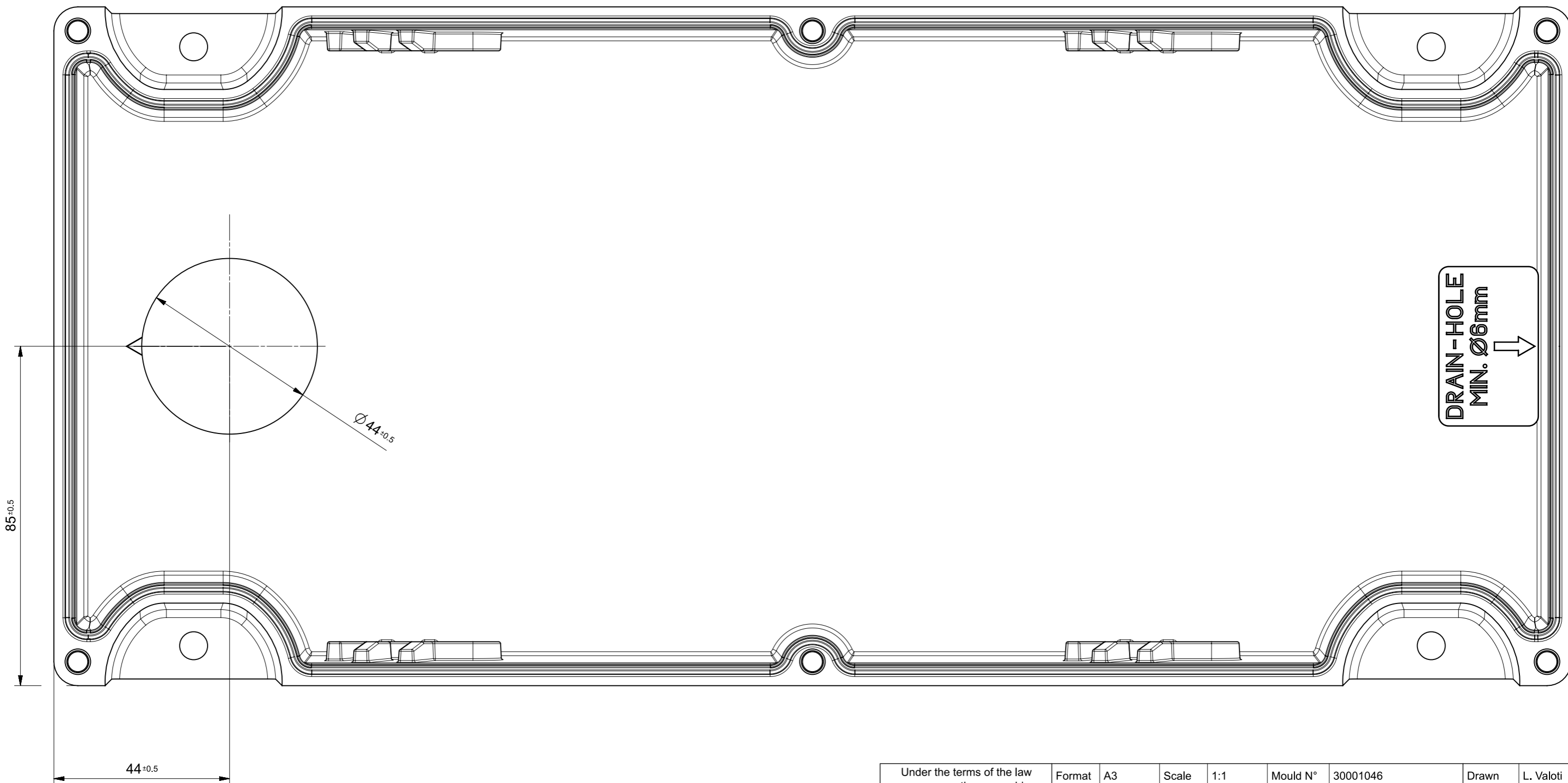
|  |   |    |       |     |          |   |       |           |            |
|--|---|----|-------|-----|----------|---|-------|-----------|------------|
| <p>Under the terms of the law we reserve the ownership of this design may not be copied and transfer it to third parties or competitors</p> <p><b>SCAME</b><br/>S.p.A.<br/>PARRE - (Bergamo)</p> | Format  | A3 | Scale | 1:2 | Mould N° | 30001046  | Drawn | L. Valoti |            |
|  | Tolerances for linear and angular dimensions without indication of specific tolerances: JS13 / UNI 286-1:2010 |    |       |     |          |   |       | Date      | 25-05-2011 |
|  | DESCRIPTION   |    |       |     |          |   |       | Approved  |            |
| <p><b>BASE PER PRESE GRP 63A Zona1</b></p>   |   |    |       |     |          | <p>CODICE Sheet 2 / 4</p> <p><b>4003061</b></p> |       |           |            |

# SL02017



|   |   |    |       |     |          |                                      |       |           |            |
|---|---|----|-------|-----|----------|--------------------------------------|-------|-----------|------------|
| Under the terms of the law we reserve the ownership of this design may not be copied and transfer it to third parties or competitors<br><br><b>SCAME</b><br>S.p.A.<br>PARRE - (Bergamo) | Format  | A3 | Scale | 1:2 | Mould N° | 30001046                             | Drawn | L. Valoti |            |
|   | Tolerances for linear and angular dimensions without indication of specific tolerances: JS13 / UNI 286-1:2010 |    |       |     |          |                                      |       | Date      | 25-05-2011 |
|   | DESCRIPTION   |    |       |     |          |                                      |       | Approved  |            |
| <b>BASE PER PRESE GRP 63A Zona1</b>   |   |    |       |     |          | CODICE Sheet 3 / 4<br><b>4003061</b> |       |           |            |

# SL20999



|  |   |    |       |     |          |   |       |           |            |
|--|---|----|-------|-----|----------|---|-------|-----------|------------|
| <p>Under the terms of the law we reserve the ownership of this design may not be copied and transfer it to third parties or competitors</p> <p><b>SCAME</b><br/>S.p.A.<br/>PARRE - (Bergamo)</p> | Format  | A3 | Scale | 1:1 | Mould N° | 30001046  | Drawn | L. Valoti |            |
|  | Tolerances for linear and angular dimensions without indication of specific tolerances: JS13 / UNI 286-1:2010 |    |       |     |          |   |       | Date      | 25-05-2011 |
|  | DESCRIPTION   |    |       |     |          |   |       | Approved  |            |
| <p><b>BASE PER PRESE GRP 63A Zona1</b></p>   |   |    |       |     |          | <p>CODICE Sheet 4 / 4</p> <p><b>4003061</b></p> |       |           |            |