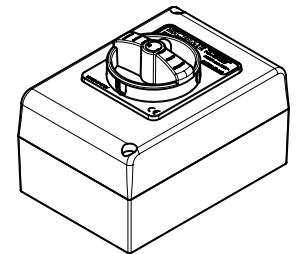
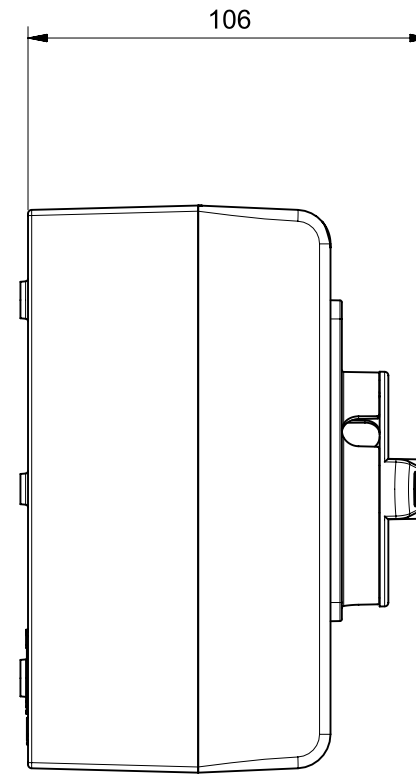
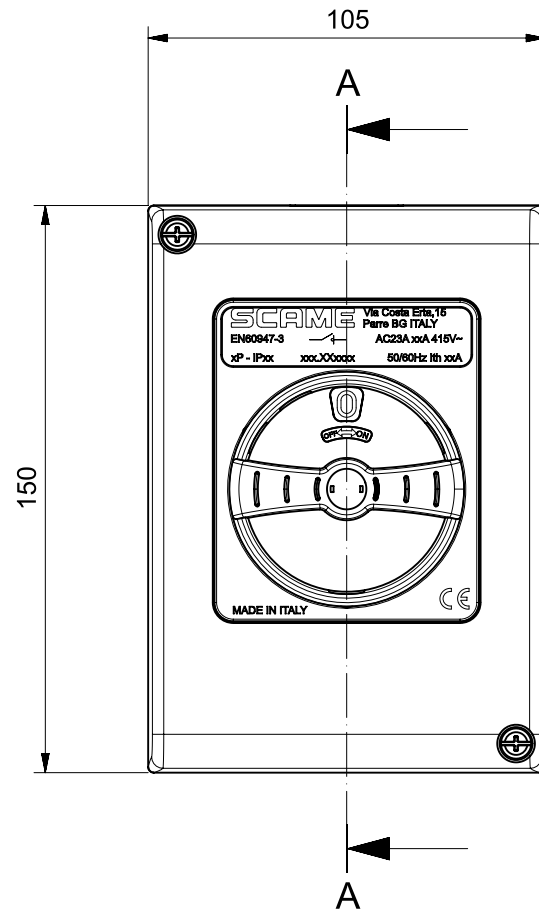
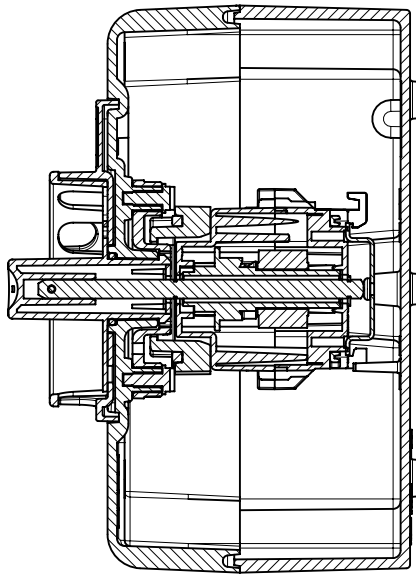


Sezione A-A



Under the terms of the law we reserve the ownership of this design may not be copied and transfer it to third parties or competitors	Format	A40	Scale	1:2	Mould N°		Drawn	SCAME
	Tolerances for linear and angular dimensions without indication of specific tolerances: JS13 / UNI 286-1:2010						Date	
S.p.A. PARRE - (Bergamo)	DESCRIPTION						Approved	
	INT. DI MANOVRA/SEZ. IP66						CODE	Sheet 1 / 1
							4014262	