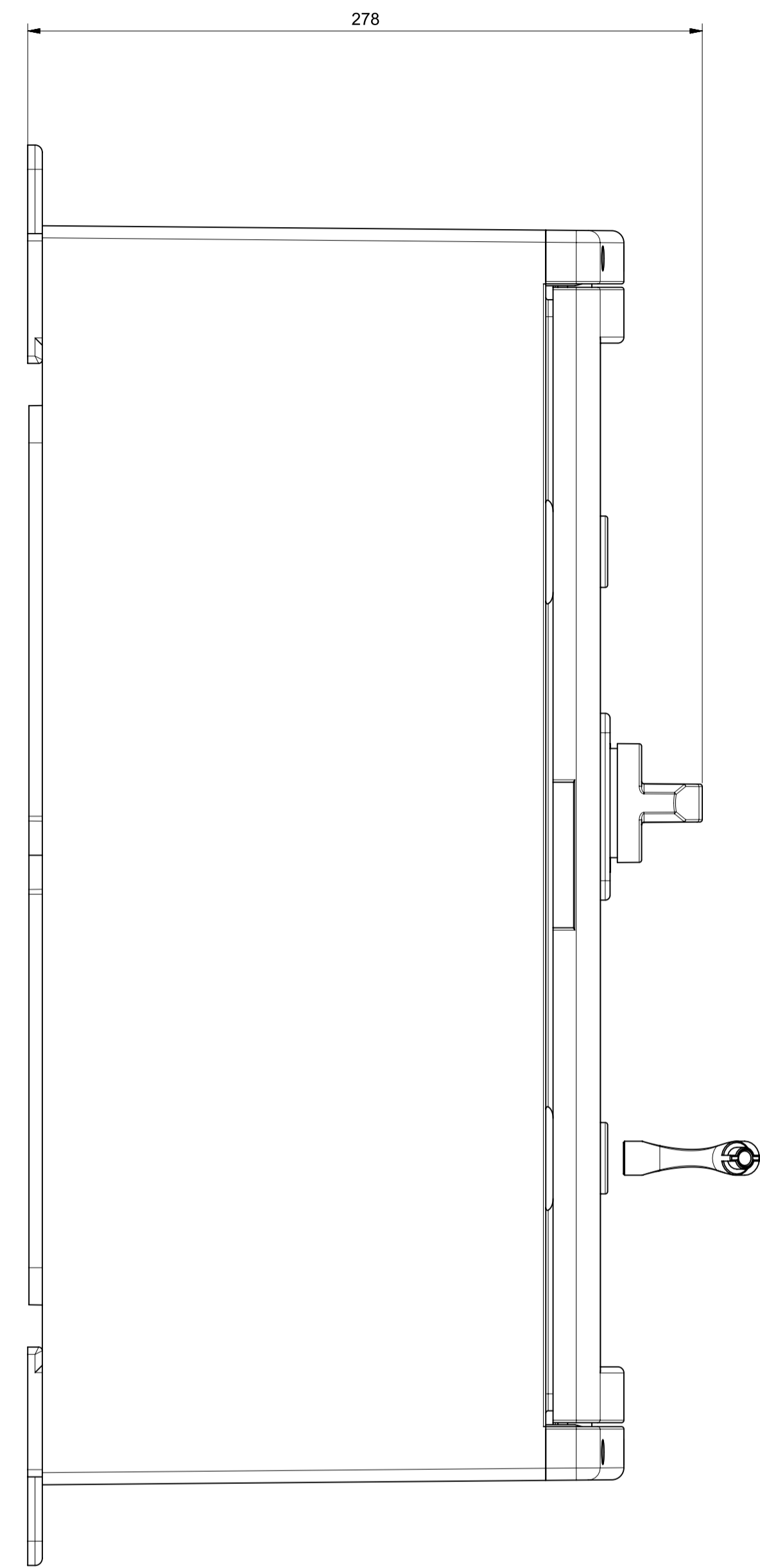
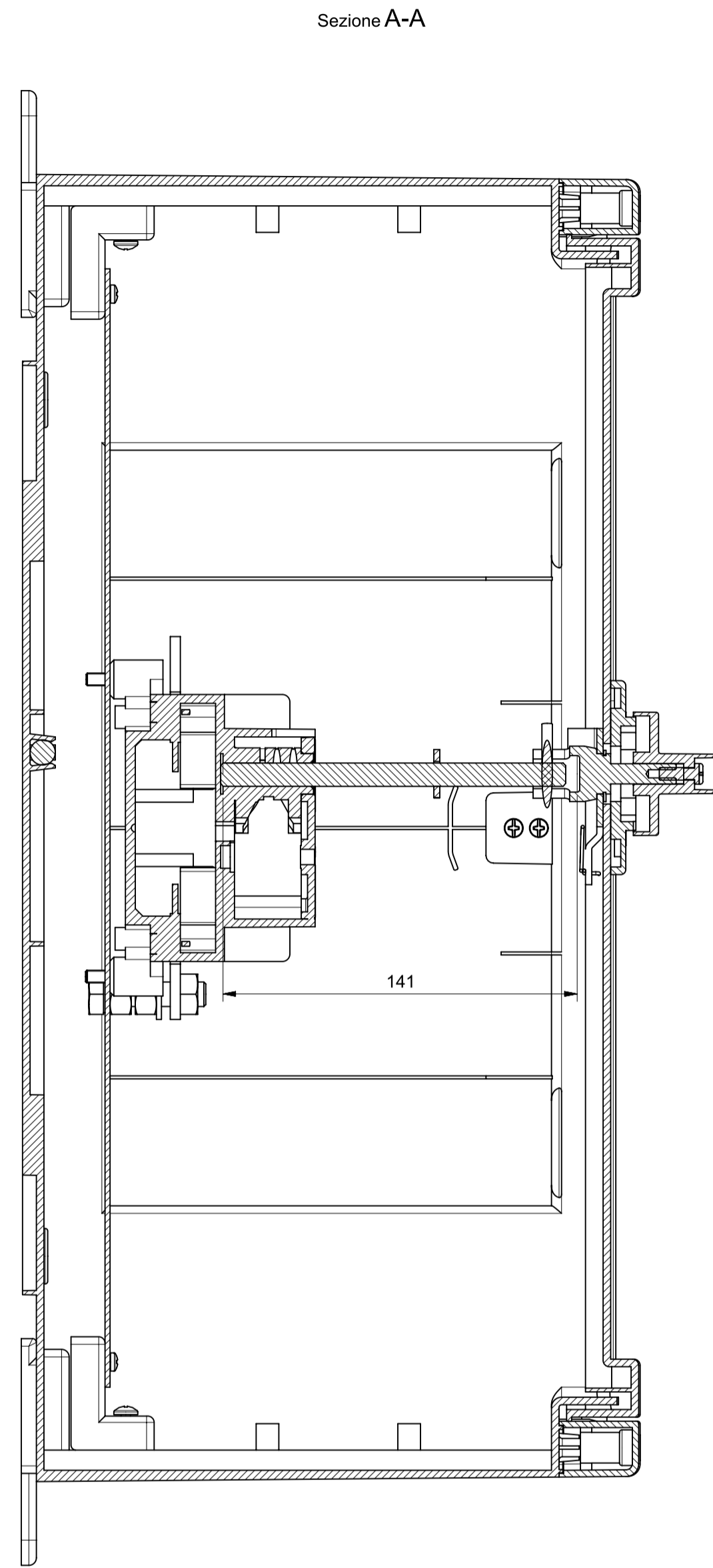
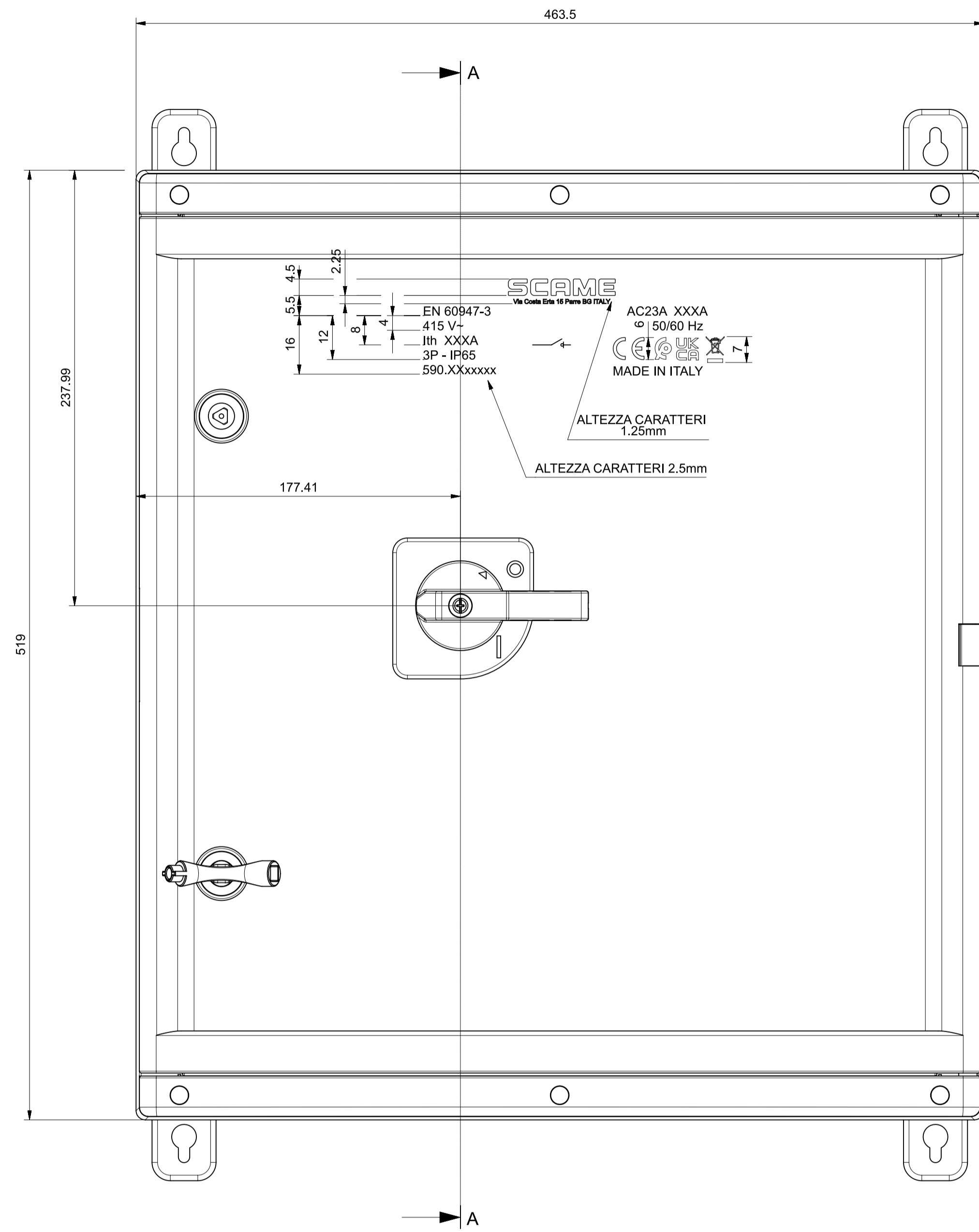


Articolo	Ith	XP - IP65	AC23A
590.GE16013	160A	3P - IP65	160A
590.GE20003	200A	3P - IP65	200A
590.GE25003	250A	3P - IP65	250A
590.EM16013	160A	3P - IP65	160A
590.EM20003	200A	3P - IP65	200A
590.EM25003	250A	3P - IP65	250A



At the end of the law, we reserve the ownership of this design may not be copied and transfer it to third parties or competitors	Format	A1	Scale	1:1	Mould N°		Drawn	SCAME
	Tolerances for linear and angular dimensions without indication of specific tolerances: JS13 / UNI 286-1:2010							Date
 S.p.A. PARRE - (Bergamo)	DESCRIPTION DISP. COMANDO GENERALE IP65 160/250A 3P						CODE 4008761	Sheet 1 / 1