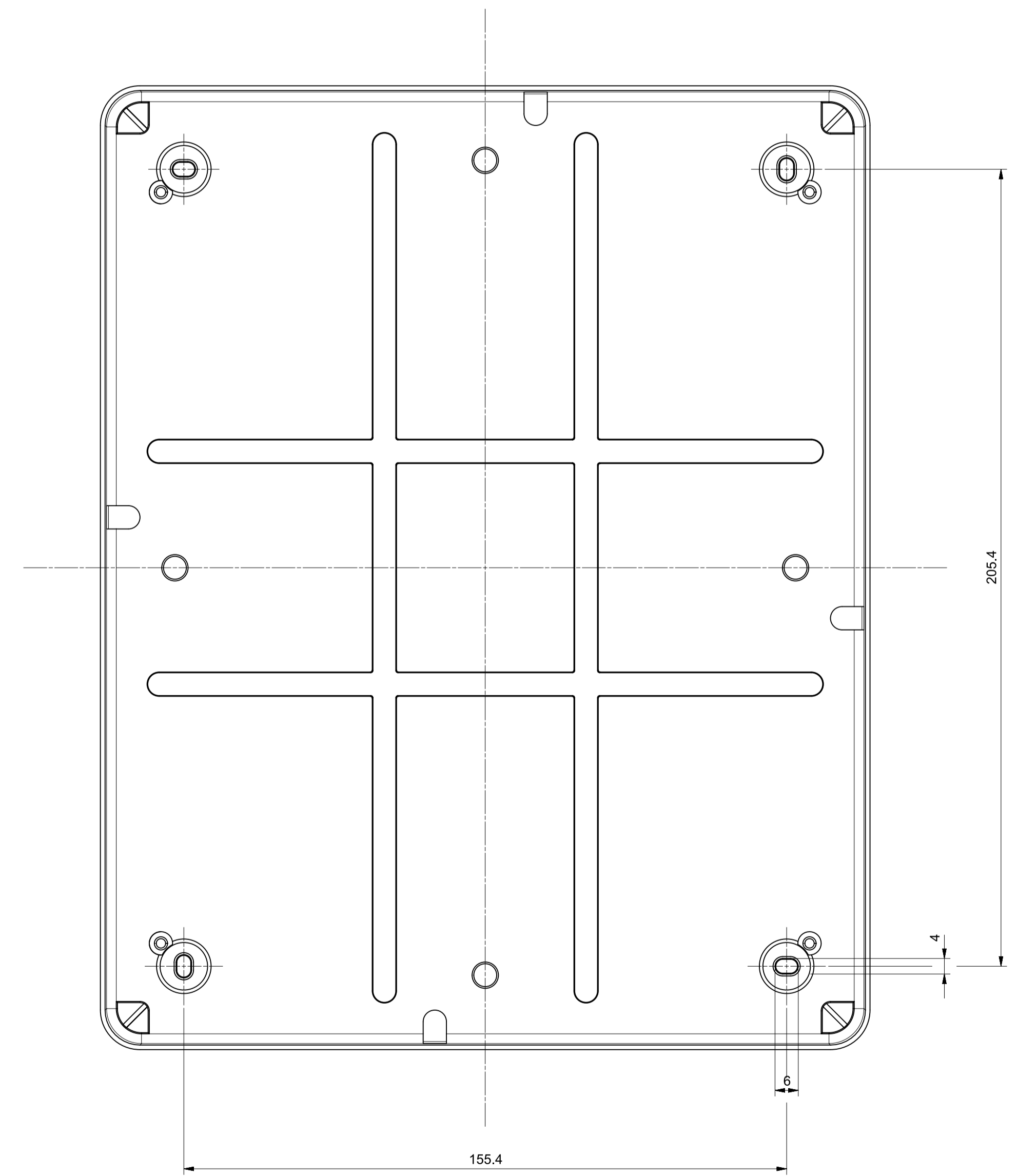
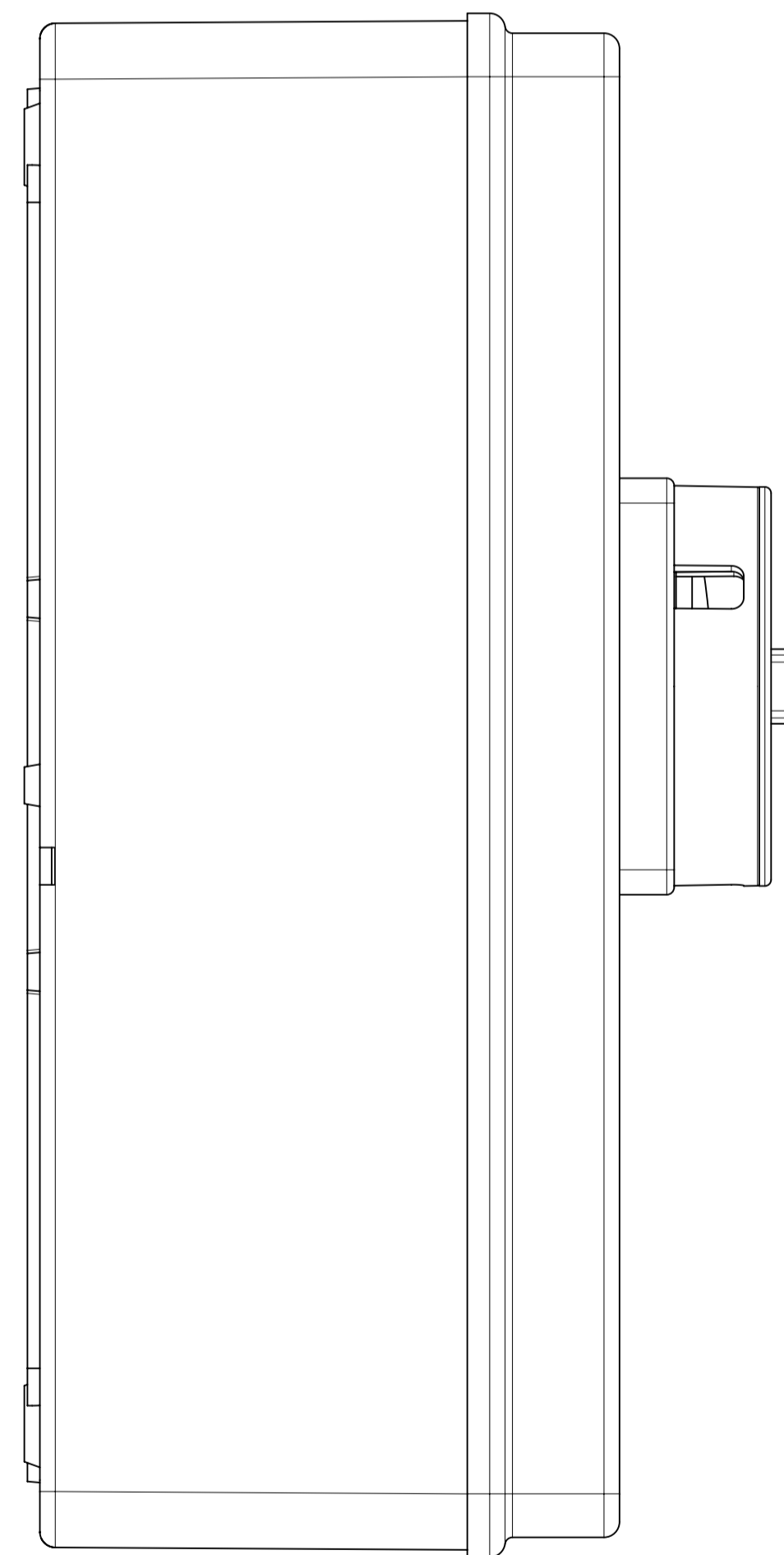
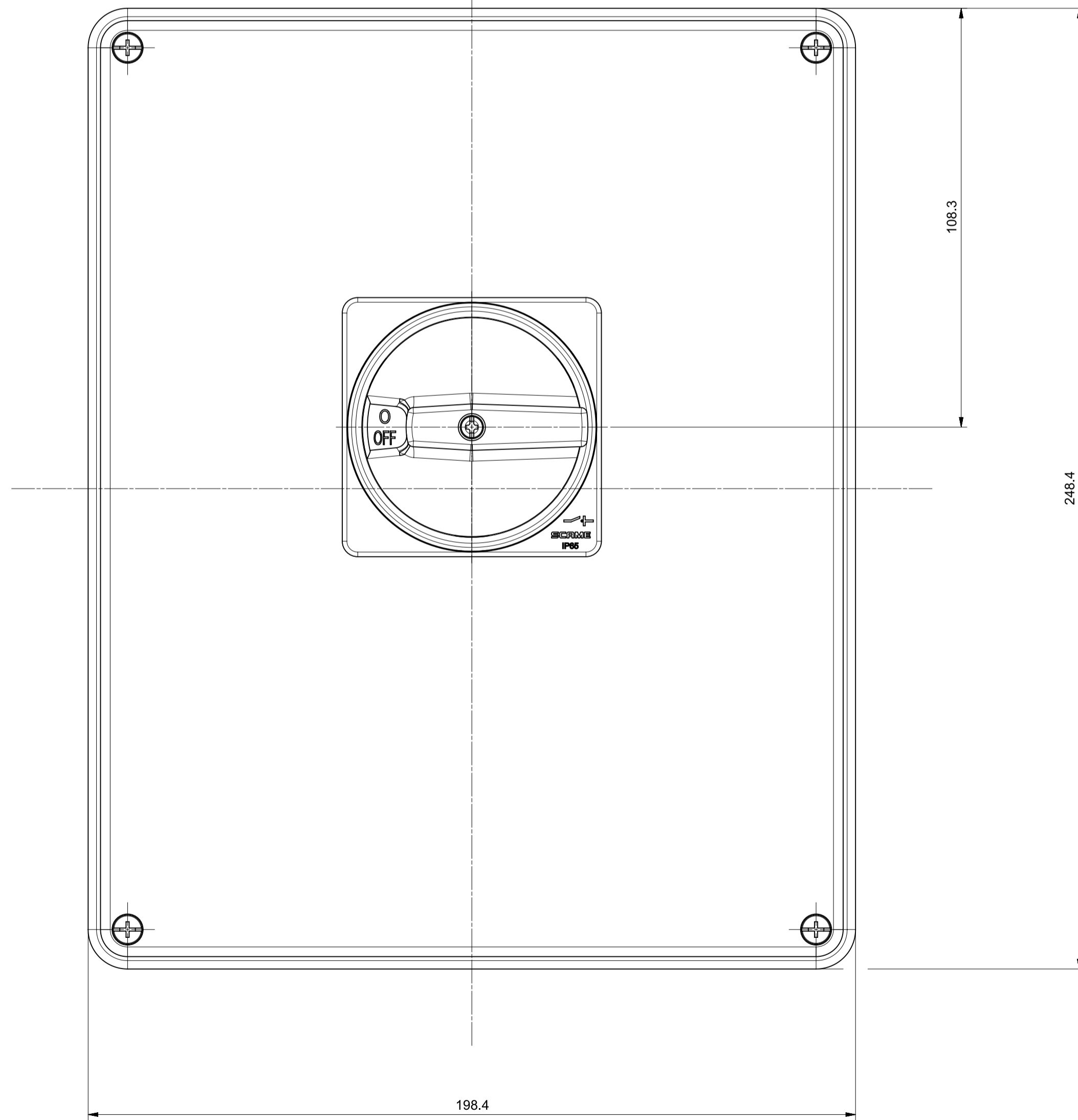


SCALA 1:2



|   |  |    |       |     |          |         |             |
|---|--|----|-------|-----|----------|---------|-------------|
| At the end of the law,<br>we reserve the ownership<br>of this design may not<br>be copied and transfer it<br>to third parties or competitors<br><br><b>SCAME</b><br>S.p.A.<br>PARRE - (Bergamo) | Format   | A1 | Scale | 1:1 | Mould N° | Drawn   | SCAME       |
|   | Tolerances for linear and angular dimensions without<br>indication of specific tolerances: JS13 / UNI 286-1:2010 |    |       |     |          |         | Date        |
| DESCRIPTION   |  |    |       |     |          | CODE    | Sheet 1 / 1 |
| ISOLATORS C/FUS 16-32A 2P INVOLUCRO TERMOPLASTICO   |  |    |       |     |          | 4005687 |             |