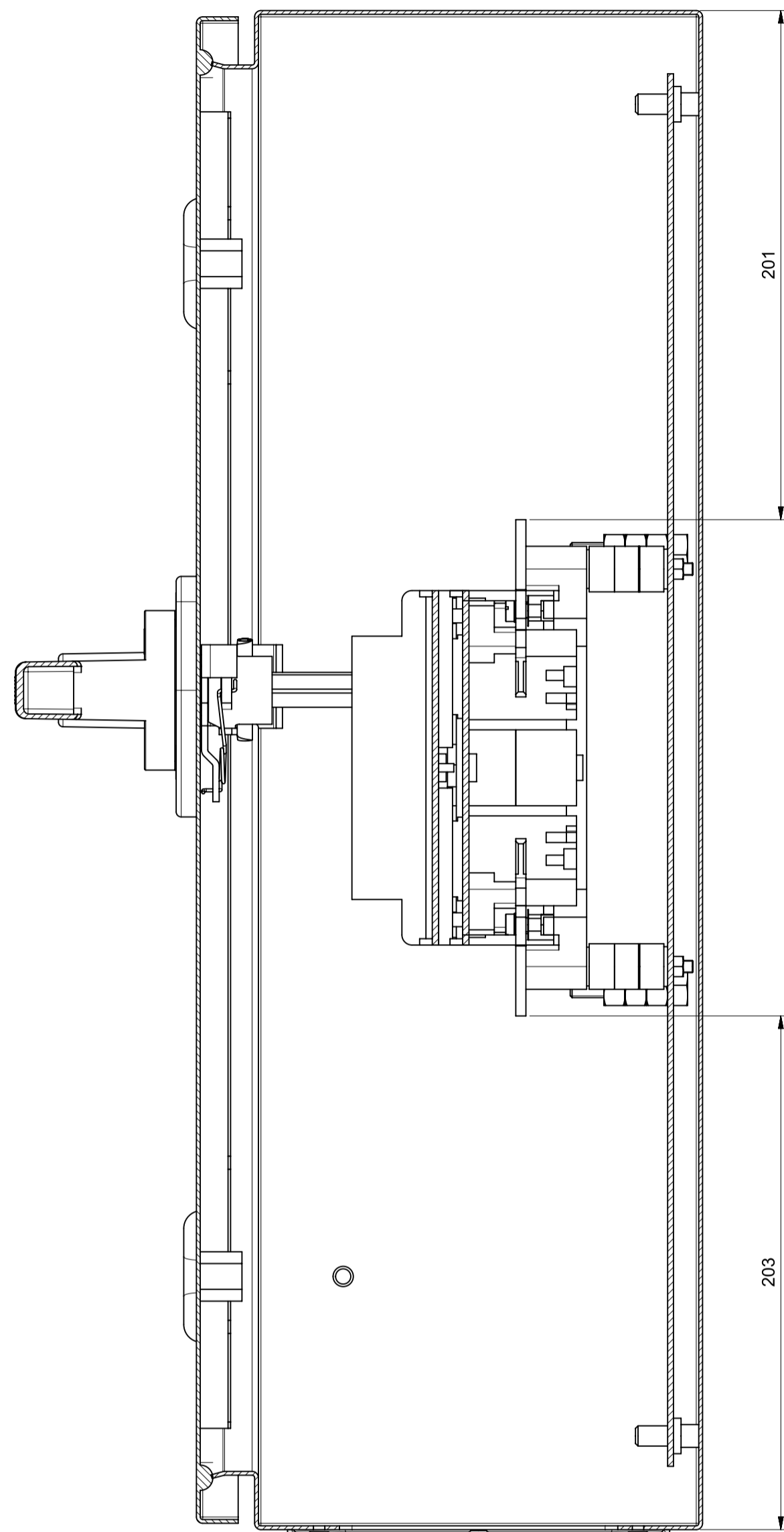
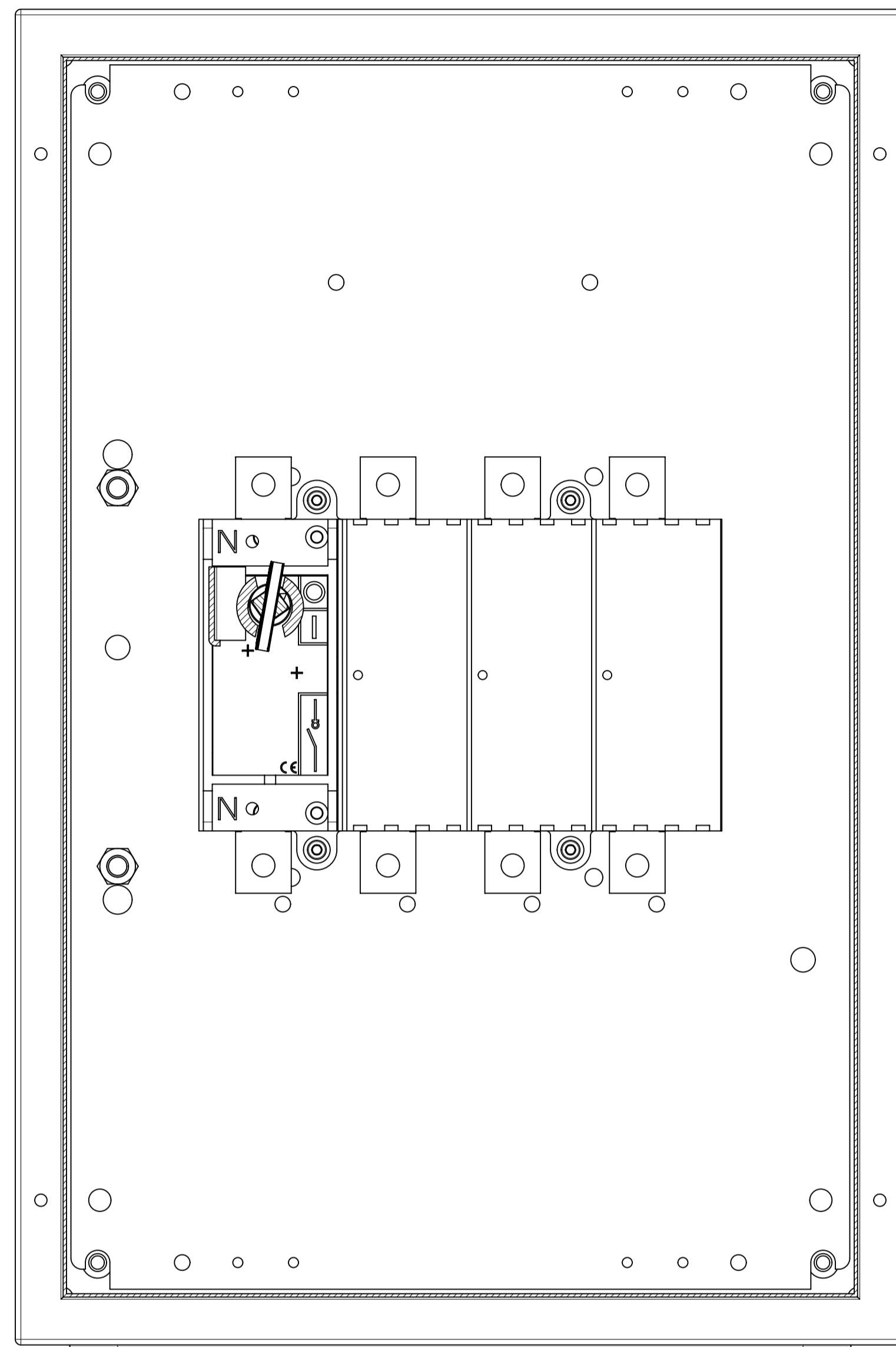


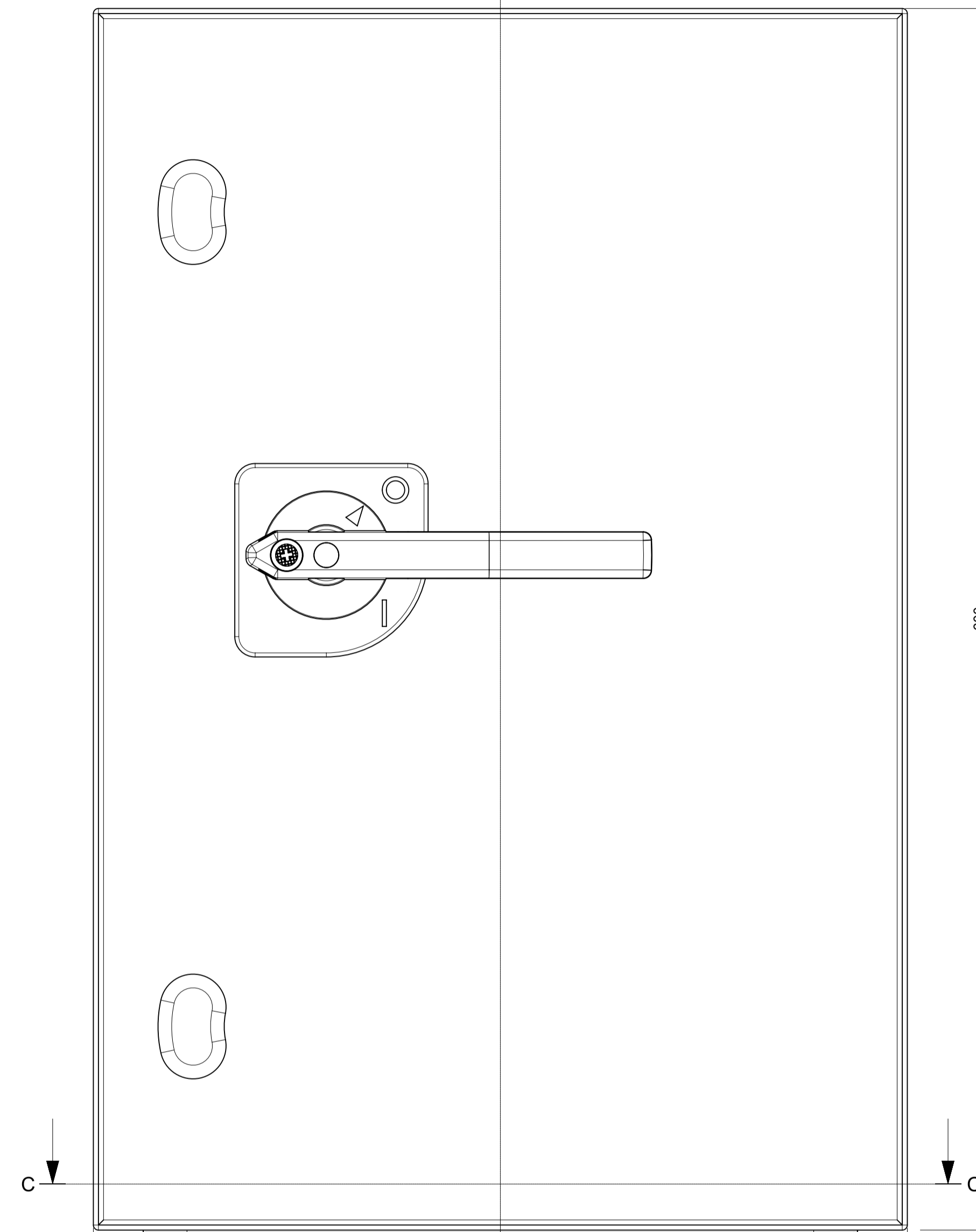
Sezione B-B



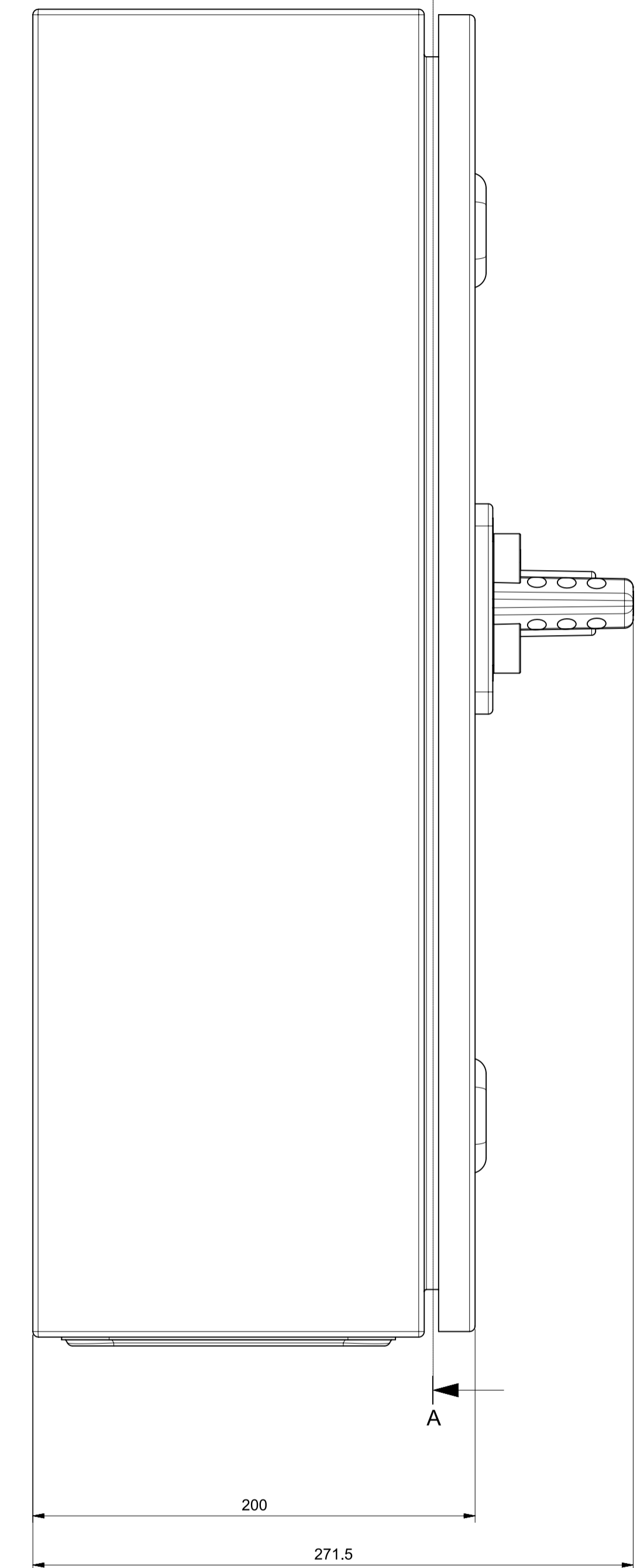
Sezione A-A



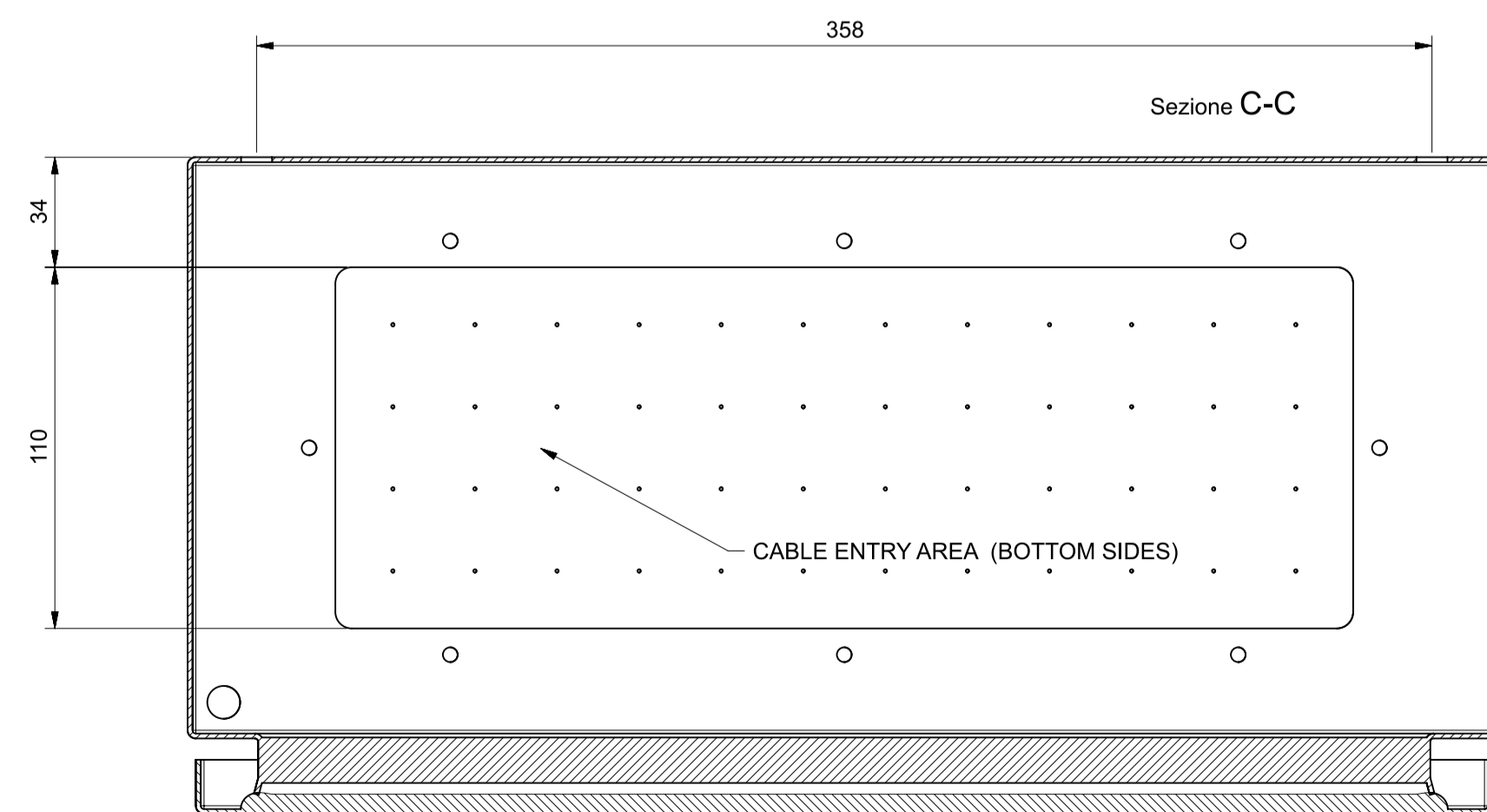
B



A



Sezione C-C



At the end of the law, we reserve the ownership of this design may not be copied and transfer it to third parties or competitors <b>SCAME</b> S.p.A. PARRE - (Bergamo)	Format	A1	Scale	1:2	Mould N°		Drawn	SCAME
	Tolerances for linear and angular dimensions without indication of specific tolerances: JS13 / UNI 286-1:2010							Date
DESCRIPTION							CODE	Sheet 1 / 1
ISOLATORS HR 315-400-500 A 3P+N							4003052	