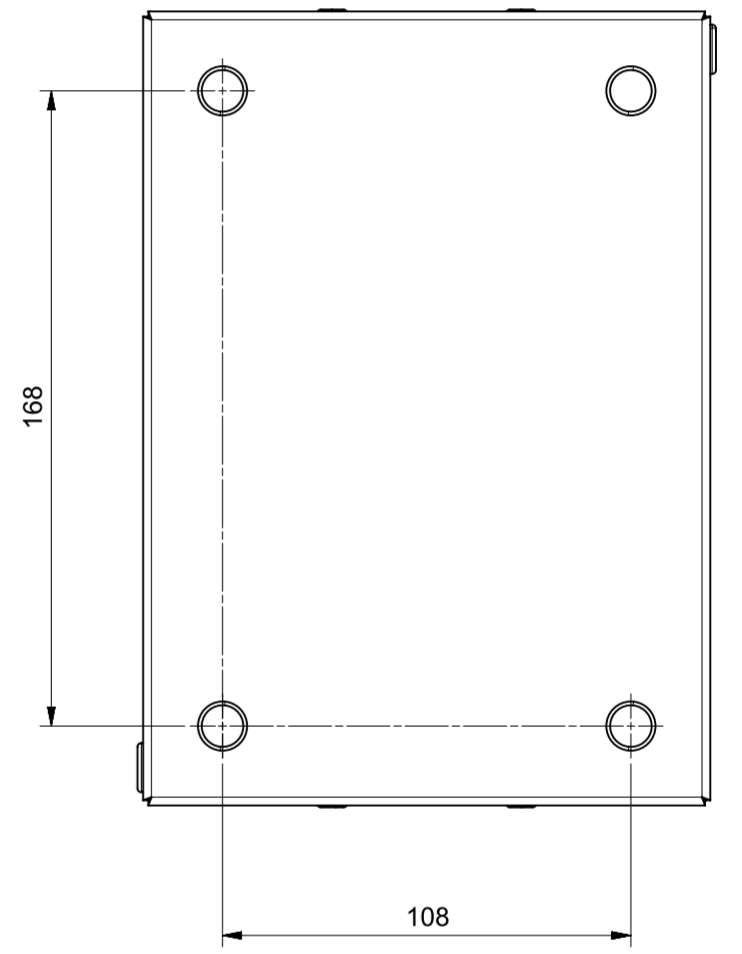
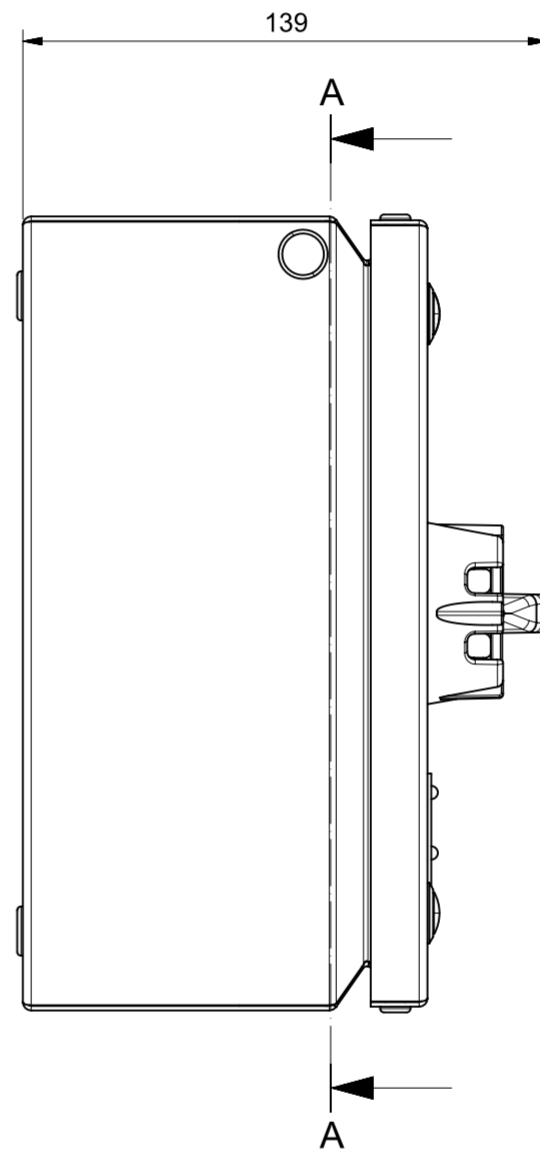
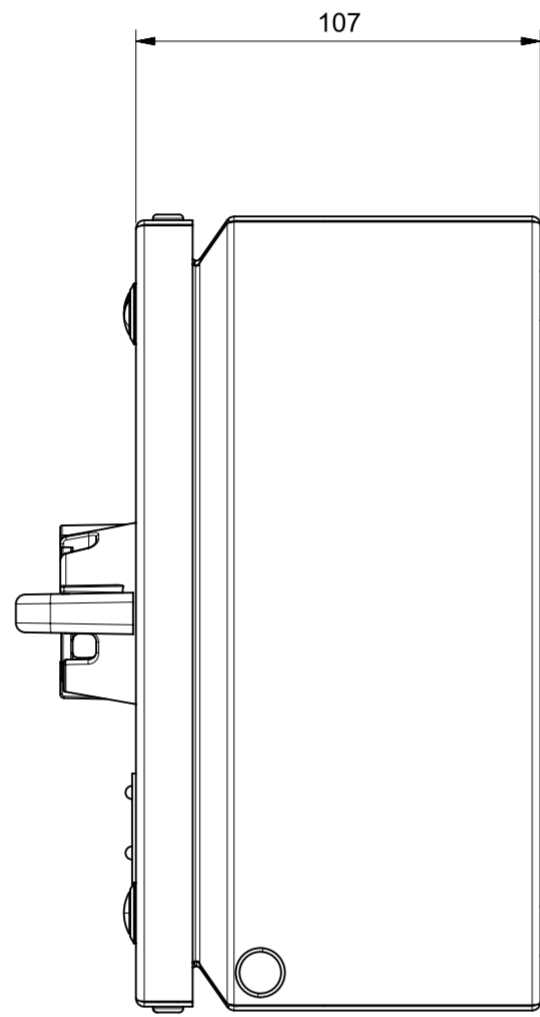
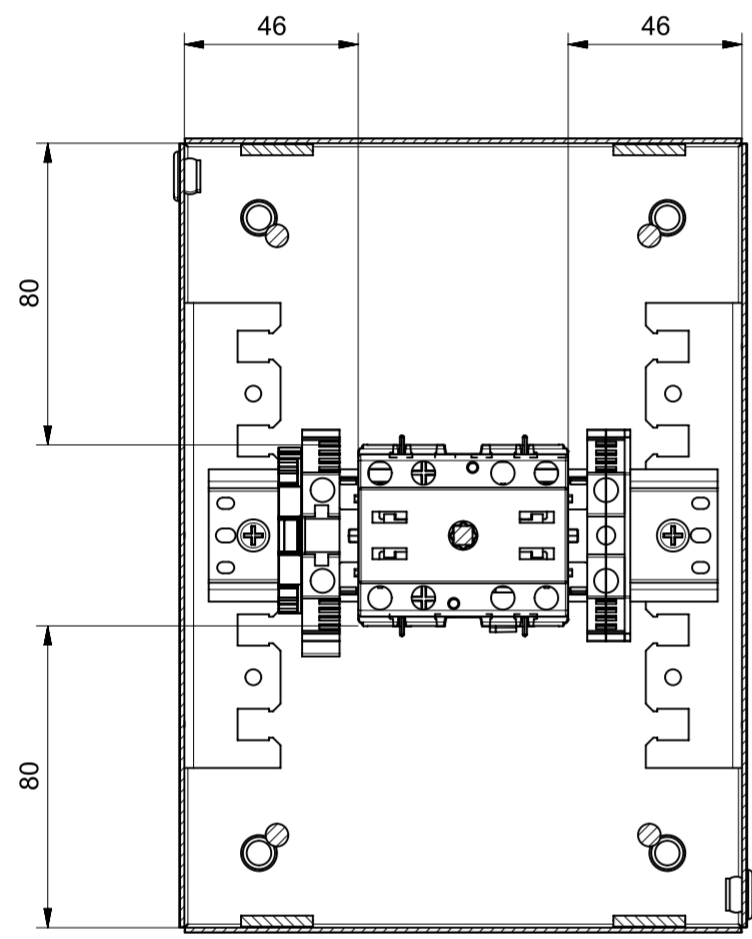


Sezione A-A



| | | | | | | | |
|--|---|----|-------|-----|----------|----------|-------------|
| <p>Under the terms of the law we reserve the ownership of this design may not be copied and transfer it to third parties or competitors</p> <p>SCAME S.p.A. PARRE - (Bergamo)</p> | Format | A2 | Scale | 1:2 | Mould N° | Drawn | SCAME |
| | Tolerances for linear and angular dimensions without indication of specific tolerances: JS13 / UNI 286-1:2010 | | | | | Date | |
| | DESCRIPTION | | | | | Approved | |
| INT. DI MANOVRA/SEZIONATORE 20/40A 1P+SN | | | | | | CODE | Sheet 1 / 1 |
| | | | | | | | 4014091 |