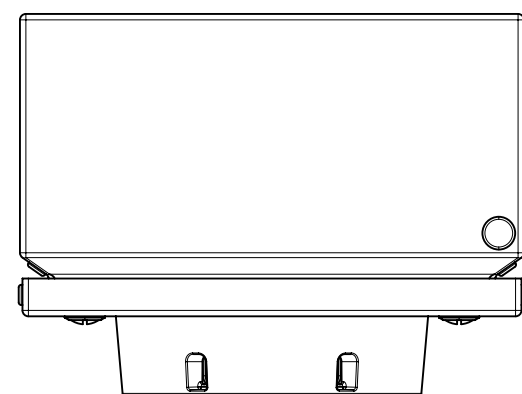
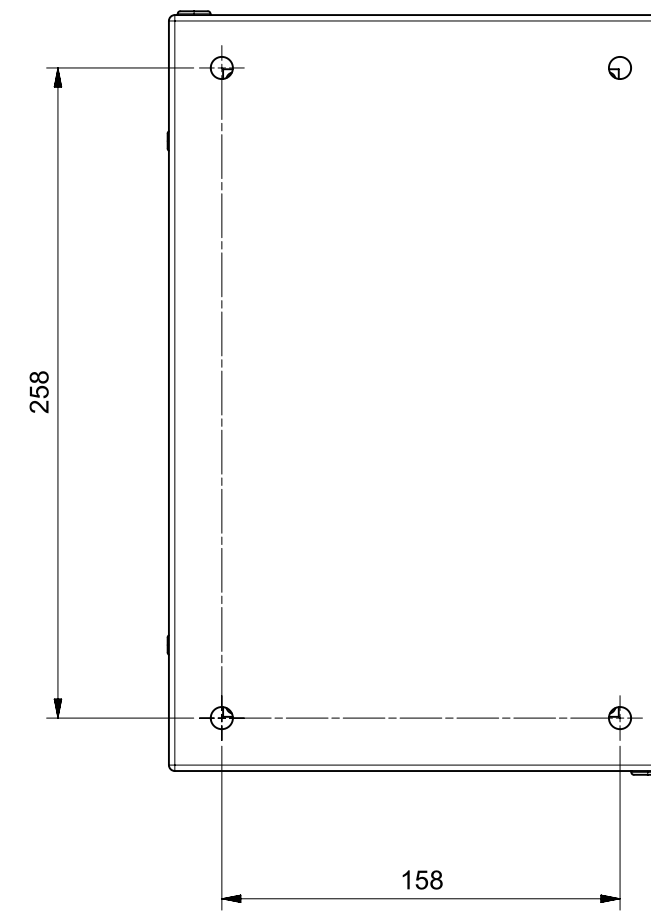
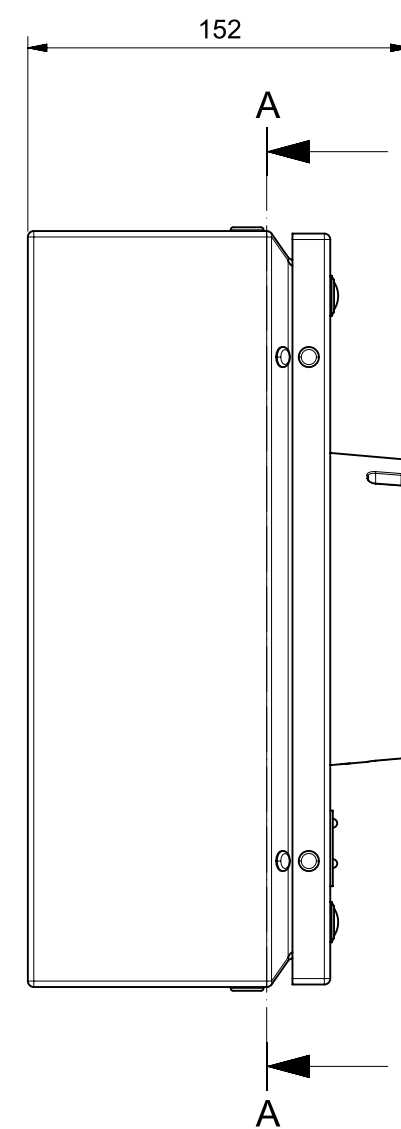
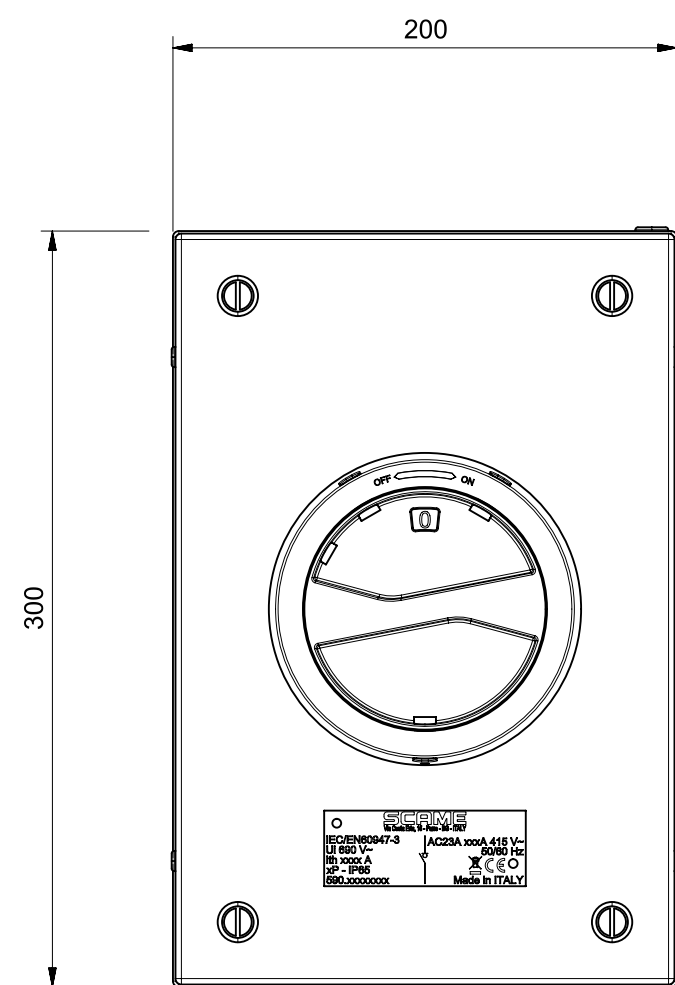
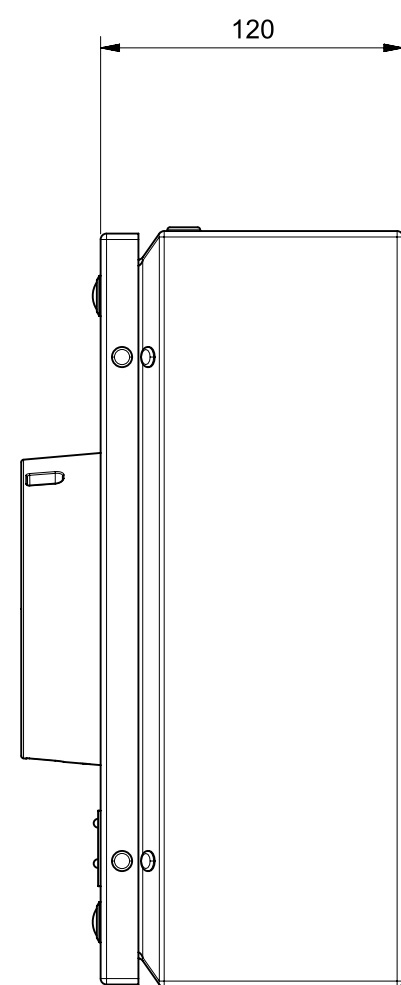
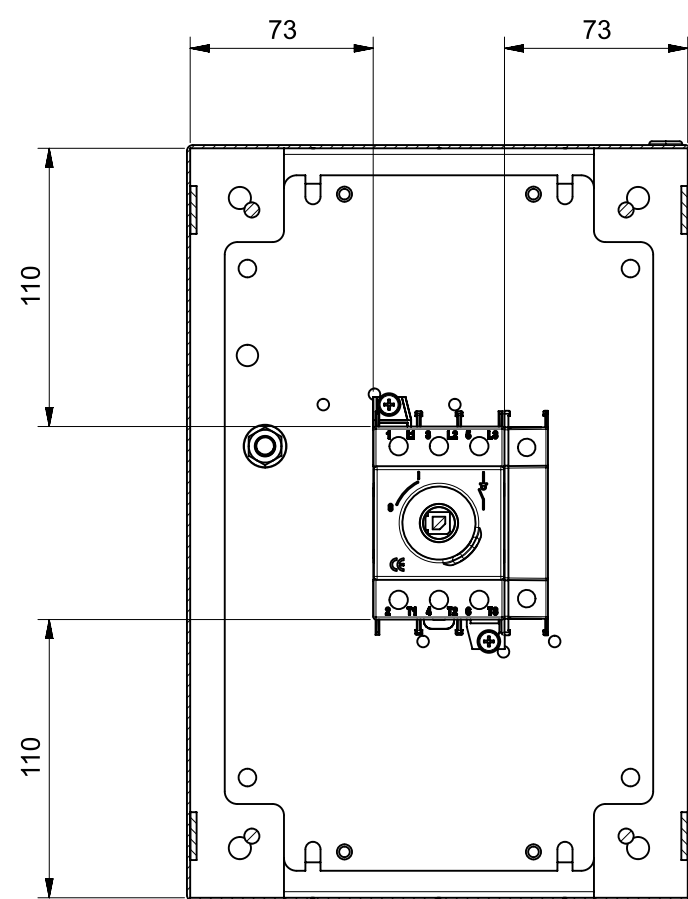


Sezione A-A



|  |   |    |       |     |          |  |       |             |         |
|--|---|----|-------|-----|----------|--|-------|-------------|---------|
| <p>Under the terms of the law we reserve the ownership of this design may not be copied and transfer it to third parties or competitors</p> <p><b>SCAME</b><br/>S.p.A.<br/>PARRE - (Bergamo)</p> | Format  | A2 | Scale | 1:3 | Mould N° |  | Drawn | SCAME       |         |
|  | Tolerances for linear and angular dimensions without indication of specific tolerances: JS13 / UNI 286-1:2010 |    |       |     |          |  |       | Date        |         |
|  | DESCRIPTION   |    |       |     |          |  |       | Approved    |         |
| INT. DI MANOVRA/SEZIONATORE 100A 3P+SN   |   |    |       |     |          |  | CODE  | Sheet 1 / 1 | 4014111 |