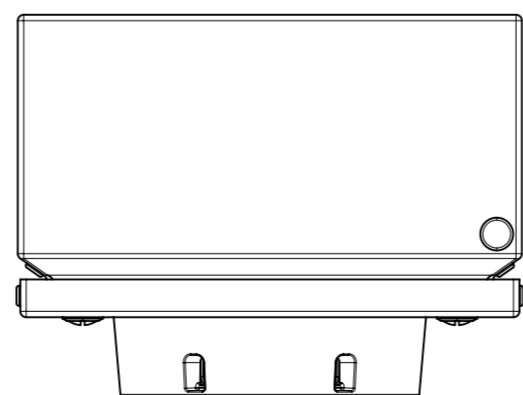
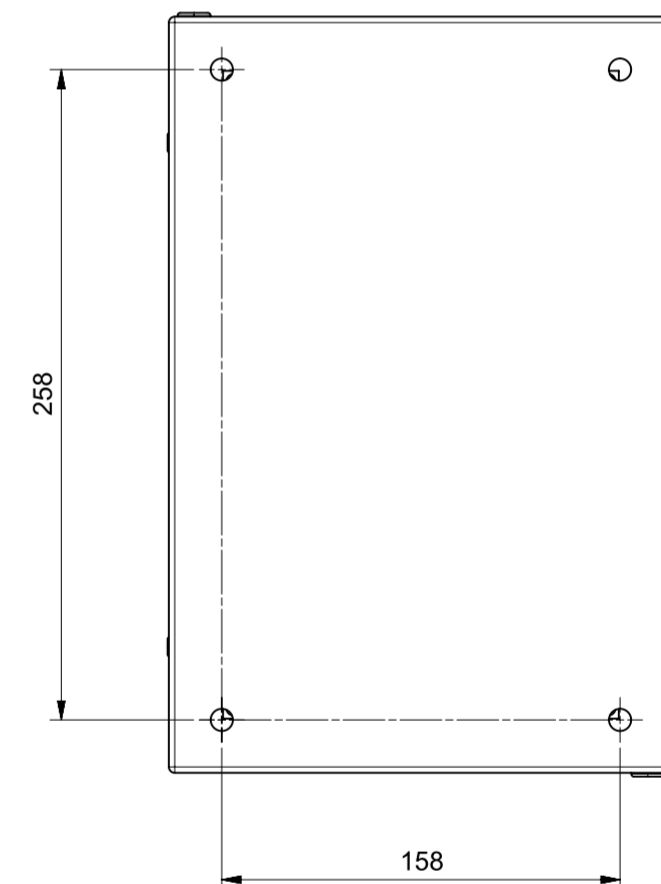
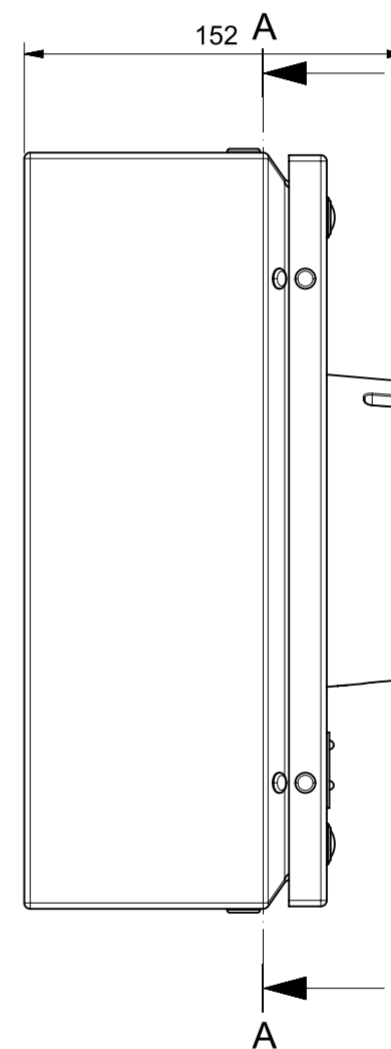
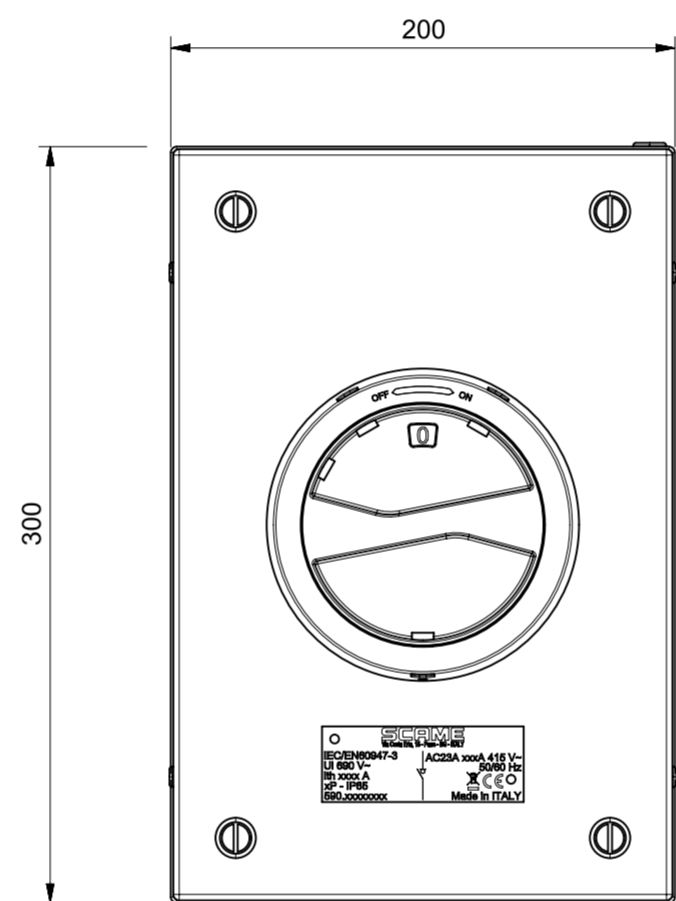
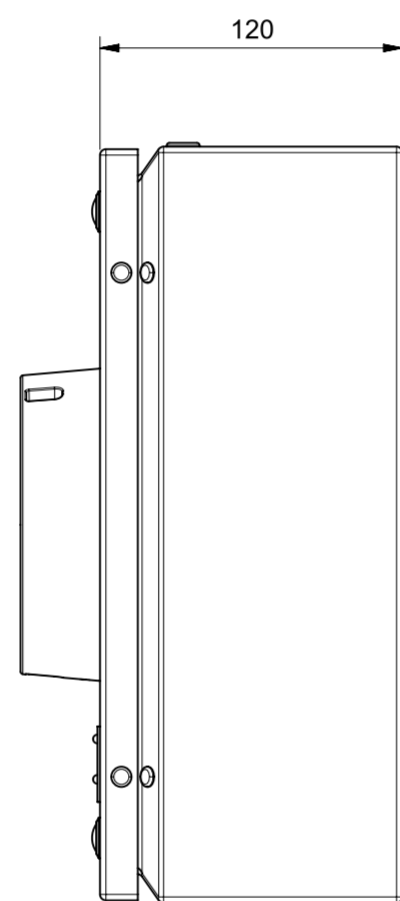
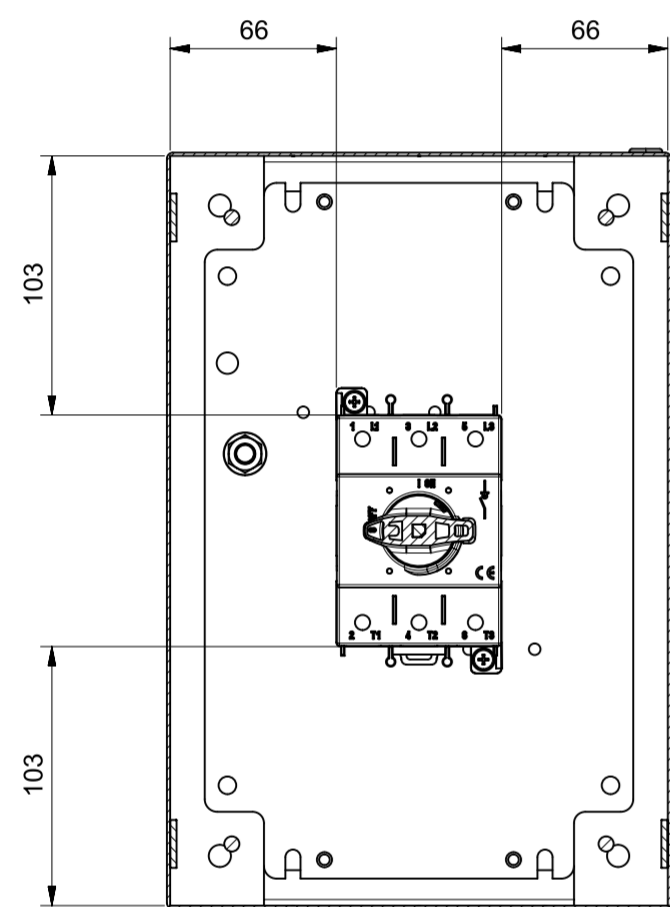


Sezione A-A



Under the terms of the law we reserve the ownership of this design may not be copied and transfer it to third parties or competitors  <b>SCAME</b> S.p.A. PARRE - (Bergamo)	Format	A2	Scale	1:3	Mould N°	Drawn	SCAME
	Tolerances for linear and angular dimensions without indication of specific tolerances: JS13 / UNI 286-1:2010					Date	
	DESCRIPTION					Approved	
INT. DI MANOVRA/SEZIONATORE 125A 3P						CODE	Sheet 1 / 1
							4014113