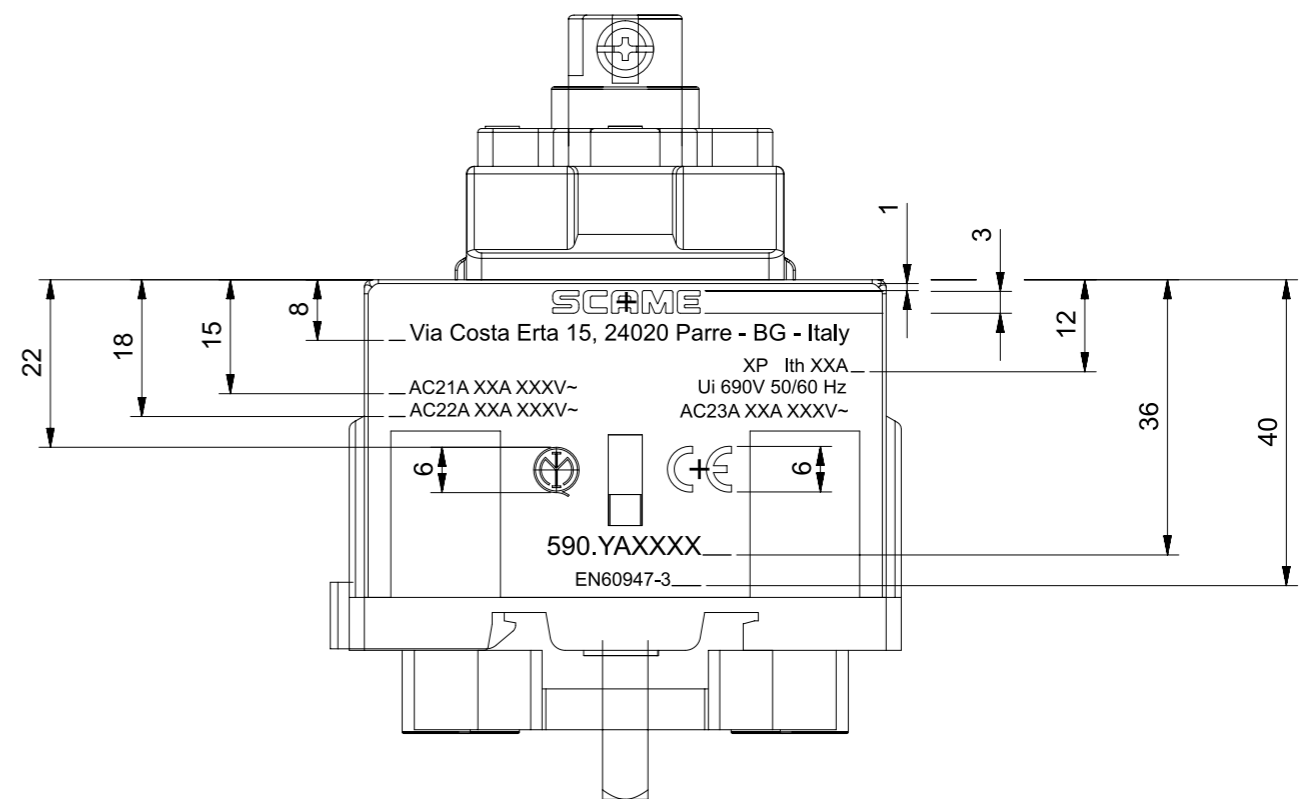
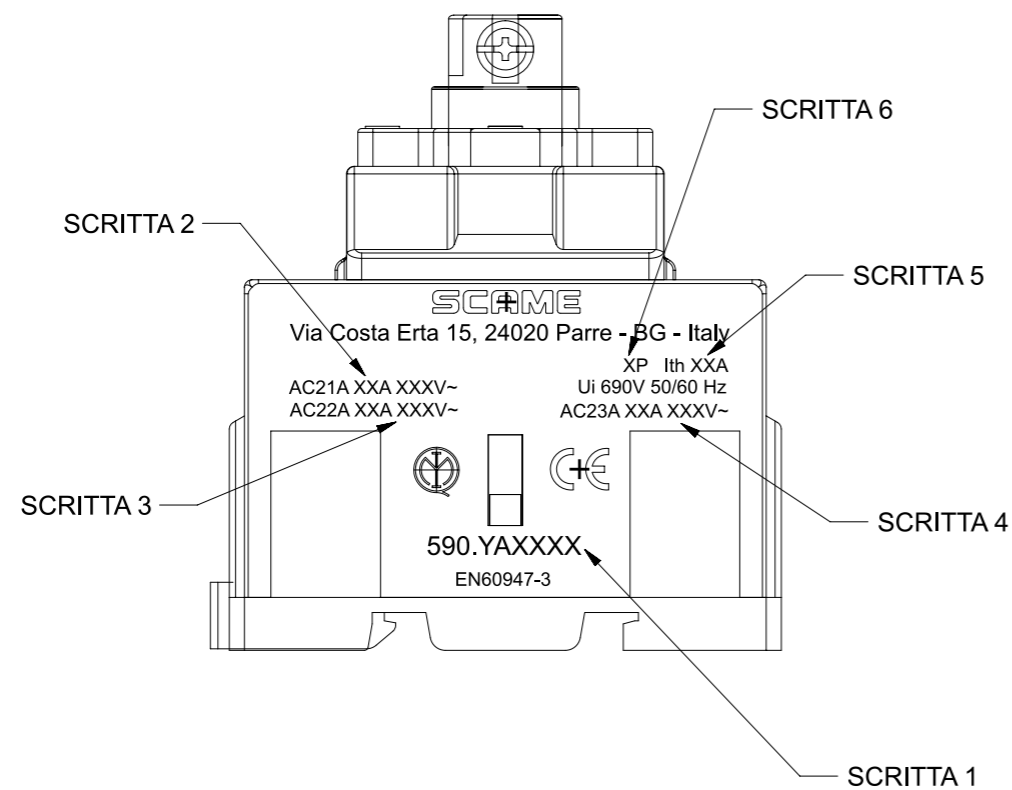


<p>At the end of the law, we reserve the ownership of this design may not be copied and transfer it to third parties or competitors</p> <p>SCAME S.p.A. PARRE - (Bergamo)</p>	Format	A40	Scale	1:1	Mould N°	1000XXXX	Drawn	SCAME	
	Tolerances for linear and angular dimensions without indication of specific tolerances: JS13 / UNI 286-1:2010							Date	
	DESCRIPTION							Approved	
FRUTTO INTERRUPTORE 63-100A 4 POLI BOX							CODE	Sheet 1 / 2	
							4003154		



CARATTERI: UTILIZZARE CARATTERI ARIAL, TRANNE CHE PER SCAME CHE E' UN DISEGNO.

TUTTE LE SCRITTE NON QUOTATE HANNO ALTEZZA 2,5 mm TRANNE L'INDIRIZZO (2,2 mm) E EN60947-3 (1,8 mm)

Cod. articolo	SCRITTA 1	SCRITTA 2	SCRITTA 3	SCRITTA 4	SCRITTA 5	SCRITTA 6
	590.YA634B	AC21A 63 A 690 V~	AC22A 63 A 690 V~	AC23A 63 A 415 V~	63 A	4P
590.HGE6305.W	590.YA635B	AC21A 63 A 690 V~	AC22A 63 A 690 V~	AC23A 63 A 415 V~	63 A	3P+N
590.HGE6305.WSN	590.YA633B	AC21A 63 A 690 V~	AC22A 63 A 690 V~	AC23A 63 A 415 V~	63 A	3P
	590.YA804B	AC21A 80 A 690 V~	AC22A 80 A 690 V~	AC23A 67 A 415 V~	80 A	4P
590.HGE8005.W	590.YA805B	AC21A 80 A 690 V~	AC22A 80 A 690 V~	AC23A 67 A 415 V~	80 A	3P+N
	590.YA1004B	AC21A 100 A 690 V~	AC22A 100 A 500 V~	AC23A 67 A 500 V~	100 A	4P

LASERATURE DATI DI TARGA

At the end of the law, we reserve the ownership of this design may not be copied and transfer it to third parties or competitors	Format	A3	Scale	1:1	Mould N°	1000XXXX	Drawn	SCAME
	Tolerances for linear and angular dimensions without indication of specific tolerances: JS13 / UNI 286-1:2010							Date
 S.p.A. PARRE - (Bergamo)	DESCRIPTION						Approved	
	FRUTTO INTERRUTTORE 63-100A 4 POLI BOX						CODICE	Sheet 2 / 2
							4003154	