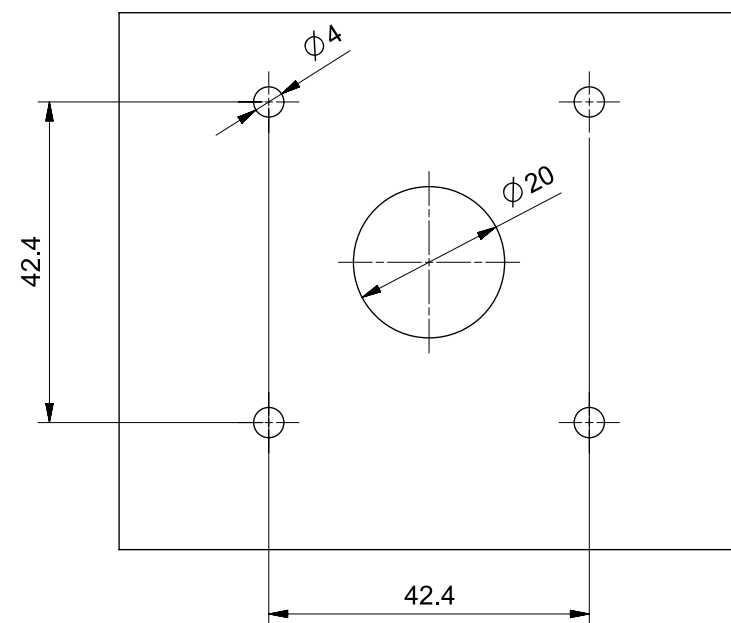


DIMA DI FORATURA



Under the terms of the law we reserve the ownership of this design may not be copied and transfer it to third parties or competitors SCAME S.p.A. PARRE - (Bergamo)	Format	A3	Scale	1:1	Mould N°	1000XXXX	Drawn	SCAME	
	Tolerances for linear and angular dimensions without indication of specific tolerances: JS13 / UNI 286-1:2010							Date	05-03-2020
	DESCRIPTION							Approved	
COMANDO FRONTALE Y2 BOX EMERGENZA						CODICE	Sheet 1 / 1		
							4012319		