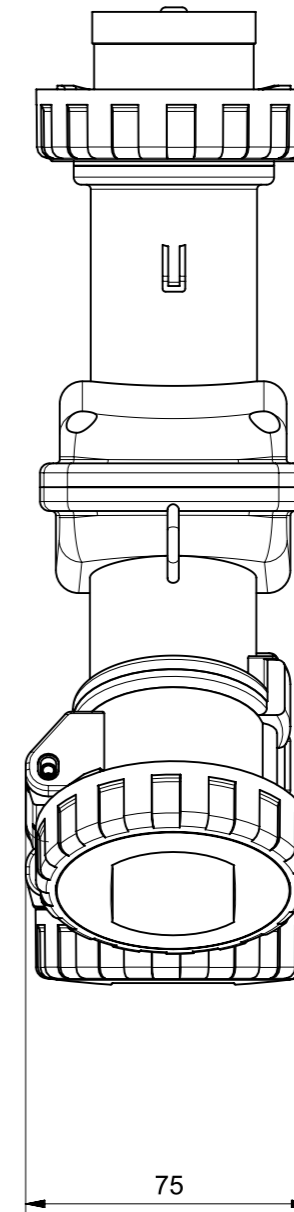
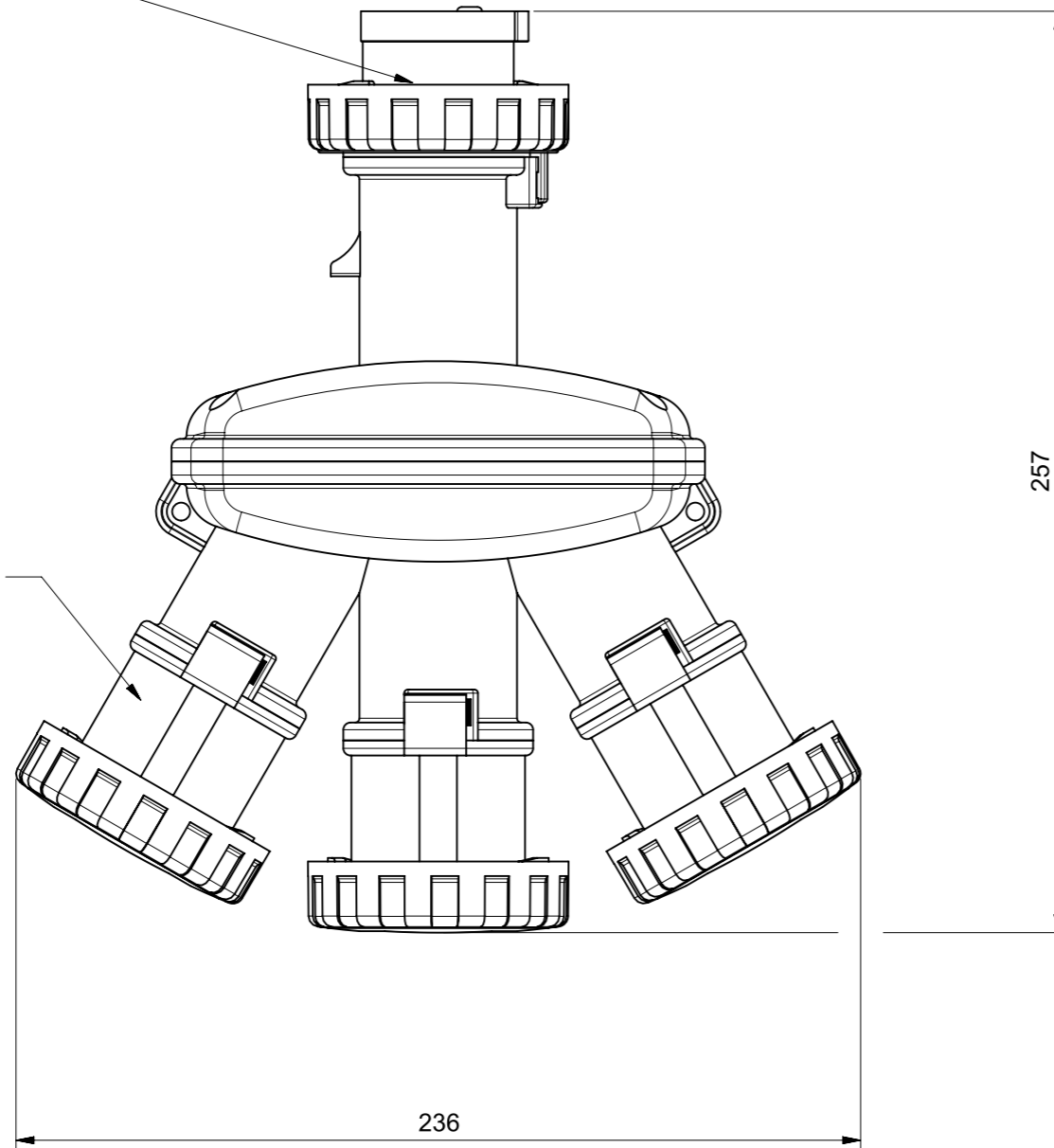


SPINA / PLUG 2P+T 6h 16A IP67

N° 3 PRESE / CONNECTORS
2P+T 6h 16A IP67



PER LA VERSIONE 606.3505-479

IL RIFERIMENTO ORARIO E' 4h

At the end of the law, we reserve the ownership of this design may not be copied and transfer it to third parties or competitors	Format	A3	Scale	1:2	Mould N°	1000XXXX	Drawn	SCAME
	Tolerances for linear and angular dimensions without indication of specific tolerances: JS13 / UNI 286-1:2010							Date
 S.p.A. PARRE - (Bergamo)	DESCRIPTION						Approved	
	ADATTATORE TRIPLO S/CAVO IP66/67 16A						CODICE	Sheet 1 / 1