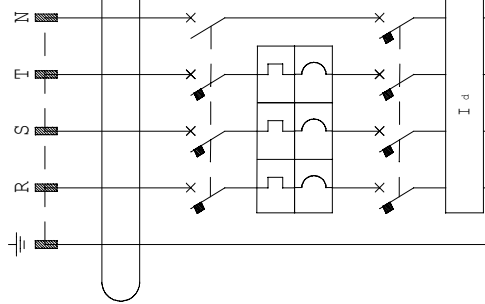


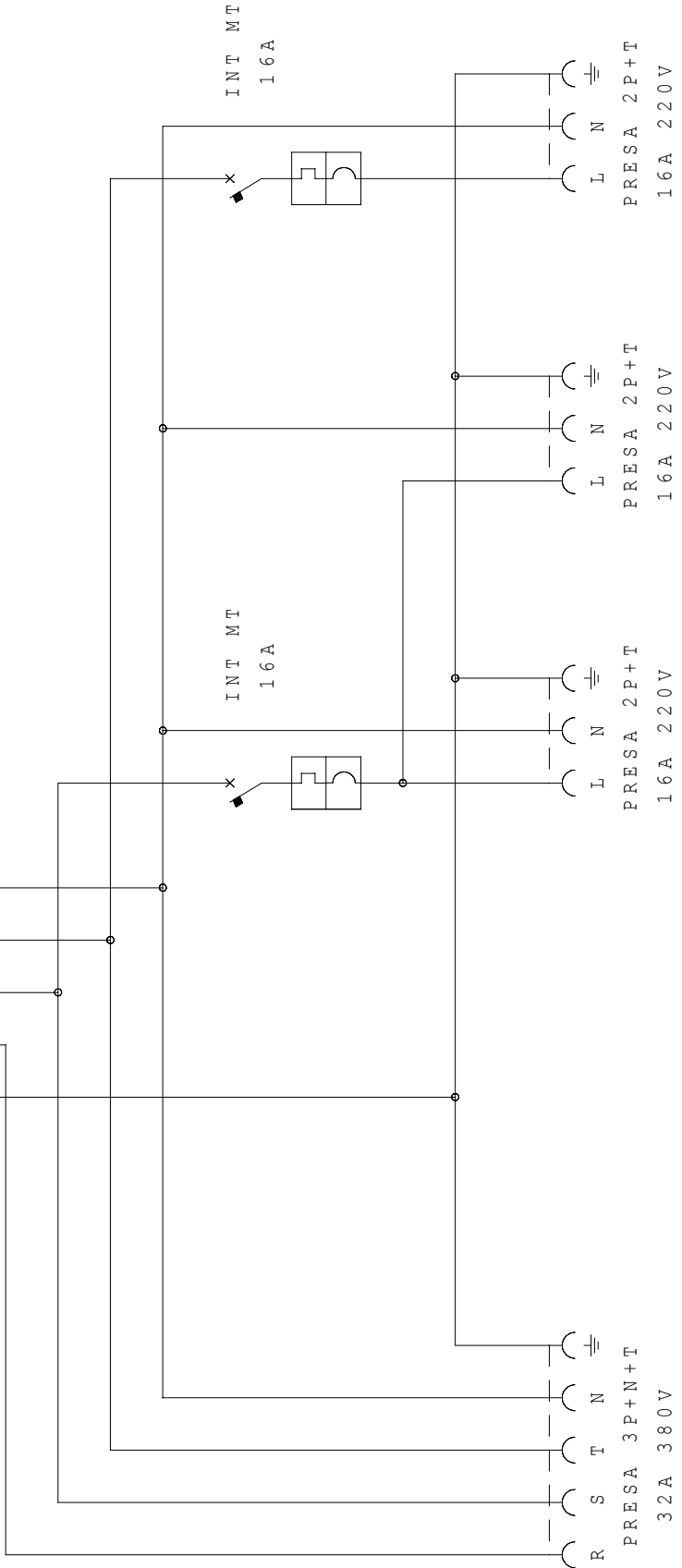
SPINA 3P+N+T  
32A 380V



5m CAVO H07RN-F  
5x4 mm<sup>2</sup>

INT MT  
32A

INT DIFF  
40A 0.03A



**SCAME**

Codice articolo

630.4006-433

DATA  
EMISS.

DATA  
MODIF.

FIRMA

FIRMA

DATA

DATA