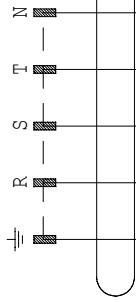


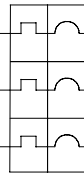
SPINA 3P+N+T

32A 380V



4m CAVO H07RN-F  
5X2,5 mm<sup>2</sup>

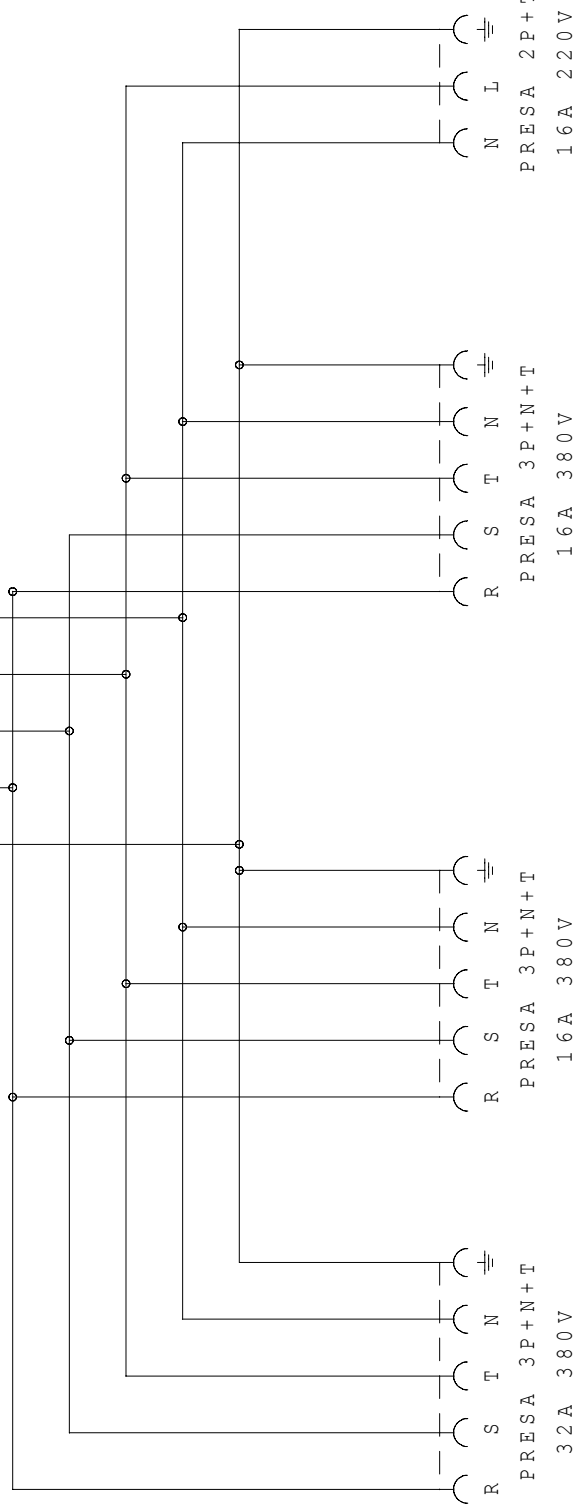
INT MT  
16A



INT DIFF  
25A 0.03A



I<sub>d</sub>



Codice articolo

630.4506-329

SCAME

DATA  
EMISS.

FIRMA

DATA  
MODIF.

FIRMA

DATA

FIRMA