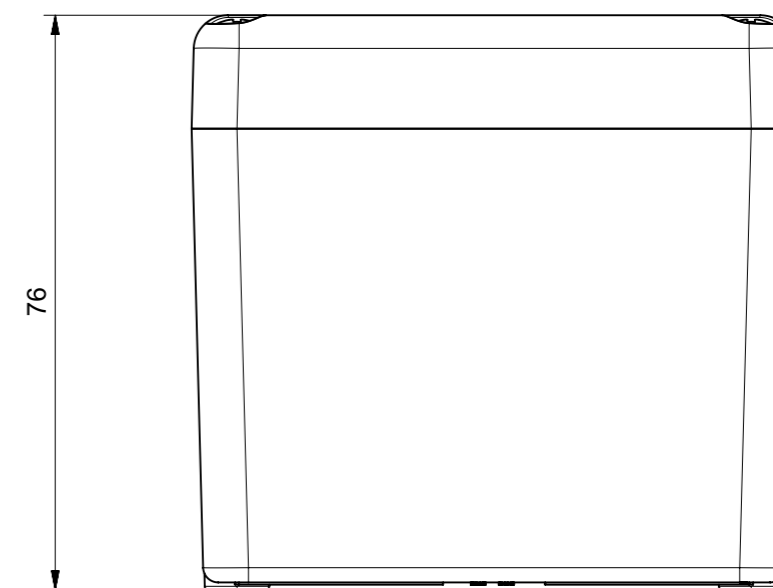
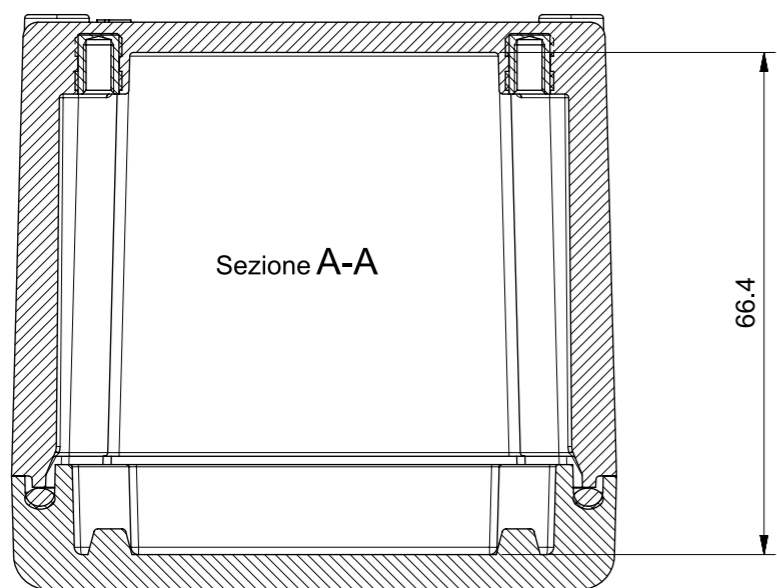
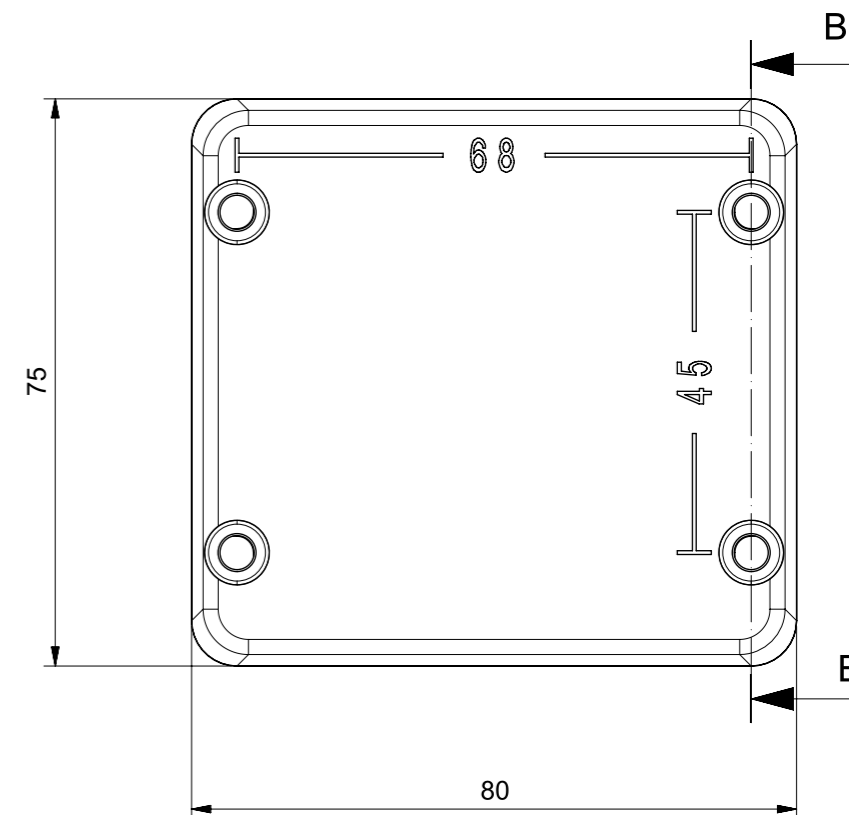
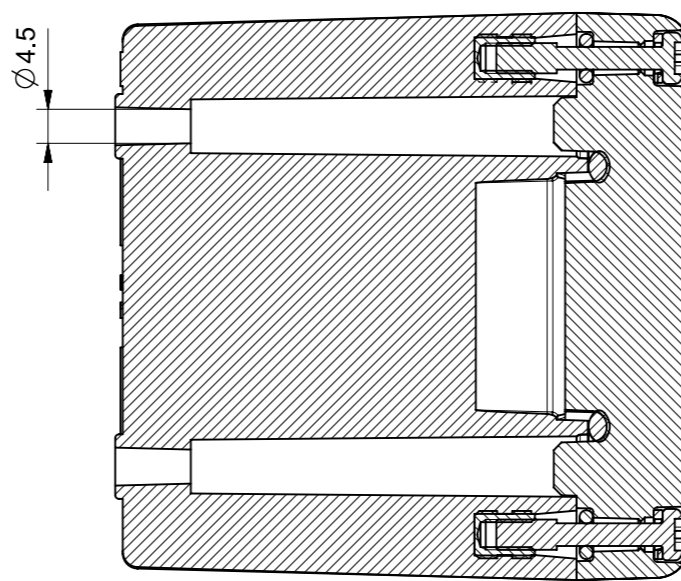
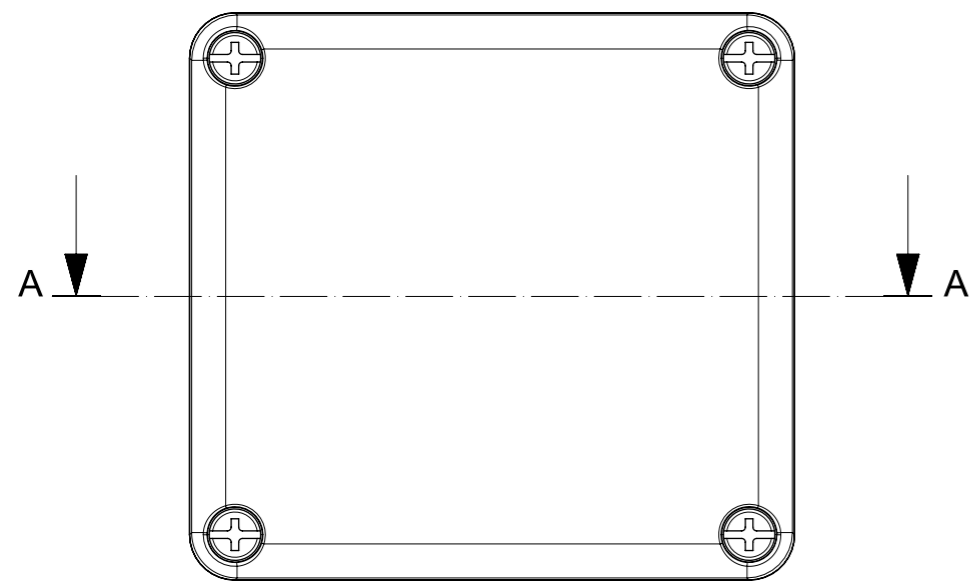


Sezione B-B



At the end of the law, we reserve the ownership of this design may not be copied and transfer it to third parties or competitors	Format	A3	Scale	1:1	Mould N°	1000XXXX	Drawn	SCAME	
	Tolerances for linear and angular dimensions without indication of specific tolerances: JS13 / UNI EN20286							Date	
								Approved	
SCAME S.p.A. PARRE - (Bergamo)		DESCRIPTION CONTENITORE EX 80x75x75					CODICE 4001259	Sheet 1 / 1	