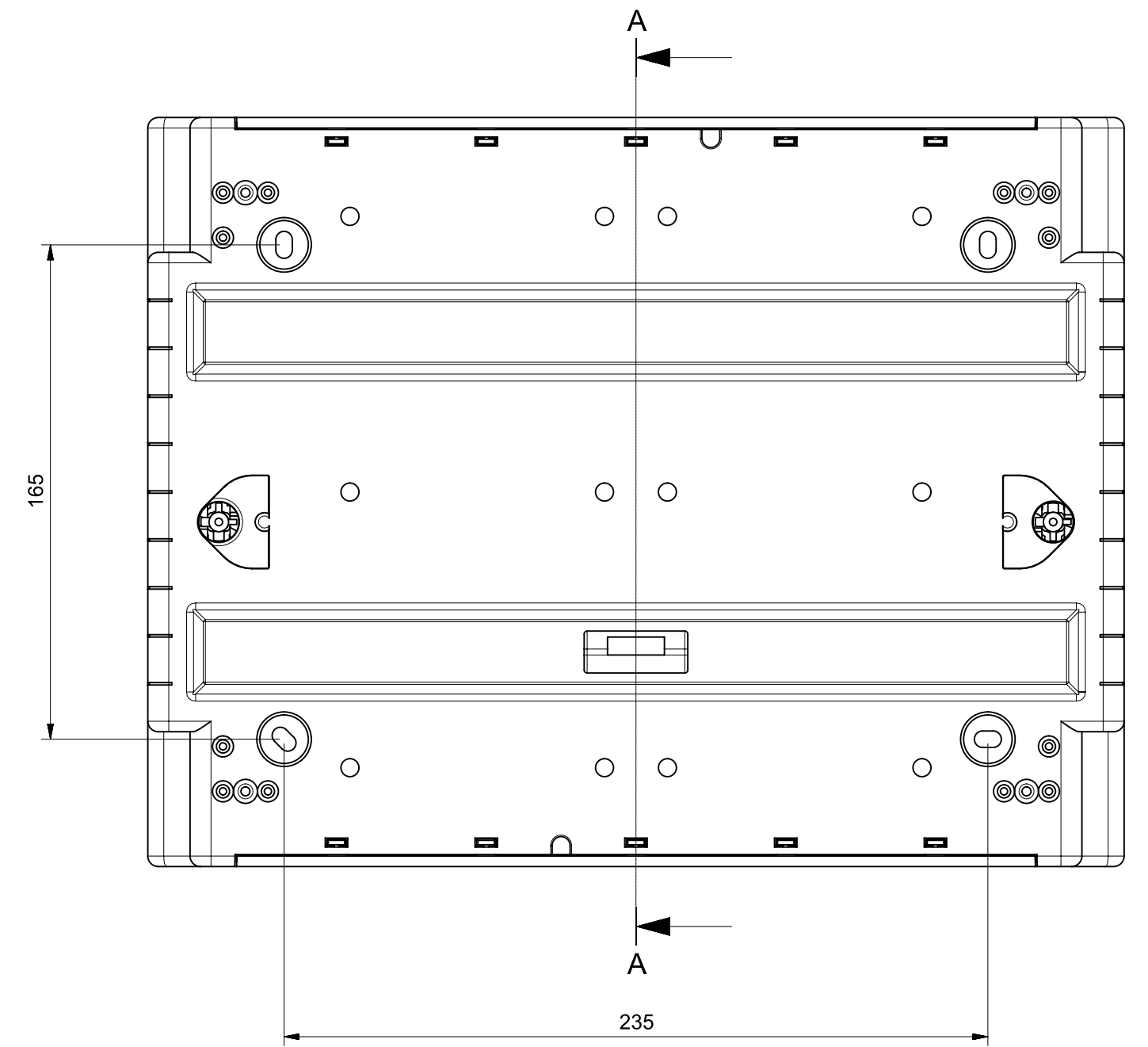
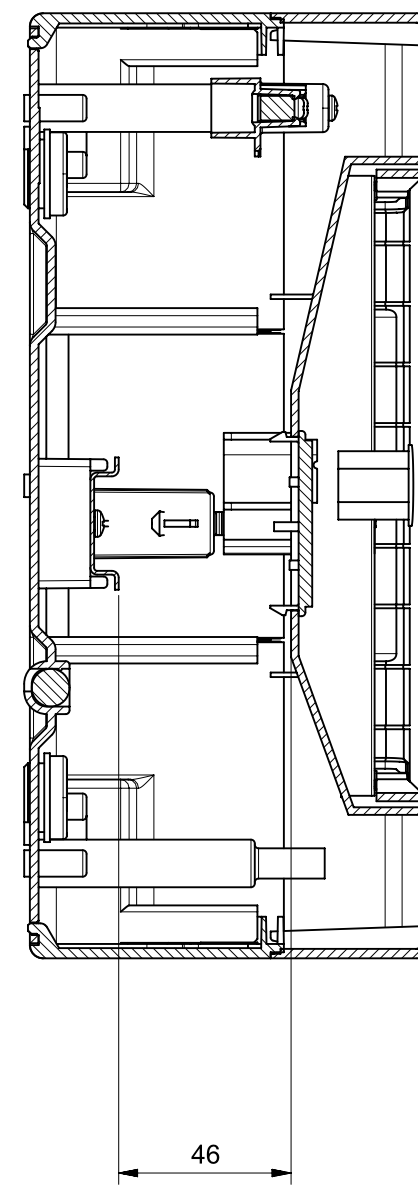


Sezione A-A



At the end of the law, we reserve the ownership of this design may not be copied and transfer it to third parties or competitors SCAME S.p.A. PARRE - (Bergamo)	Format	A1	Scale	1:1	Mould N°	1000XXXX	Drawn	SCAME
	Tolerances for linear and angular dimensions without indication of specific tolerances: JS13 / UNI 286-1:2010							Date
DESCRIPTION							CODE	Sheet 1 / 1
CENTRALINO PARETE 12 MODULI CON 2 MORSETTIERE SENZA SERRATURA							4003666	