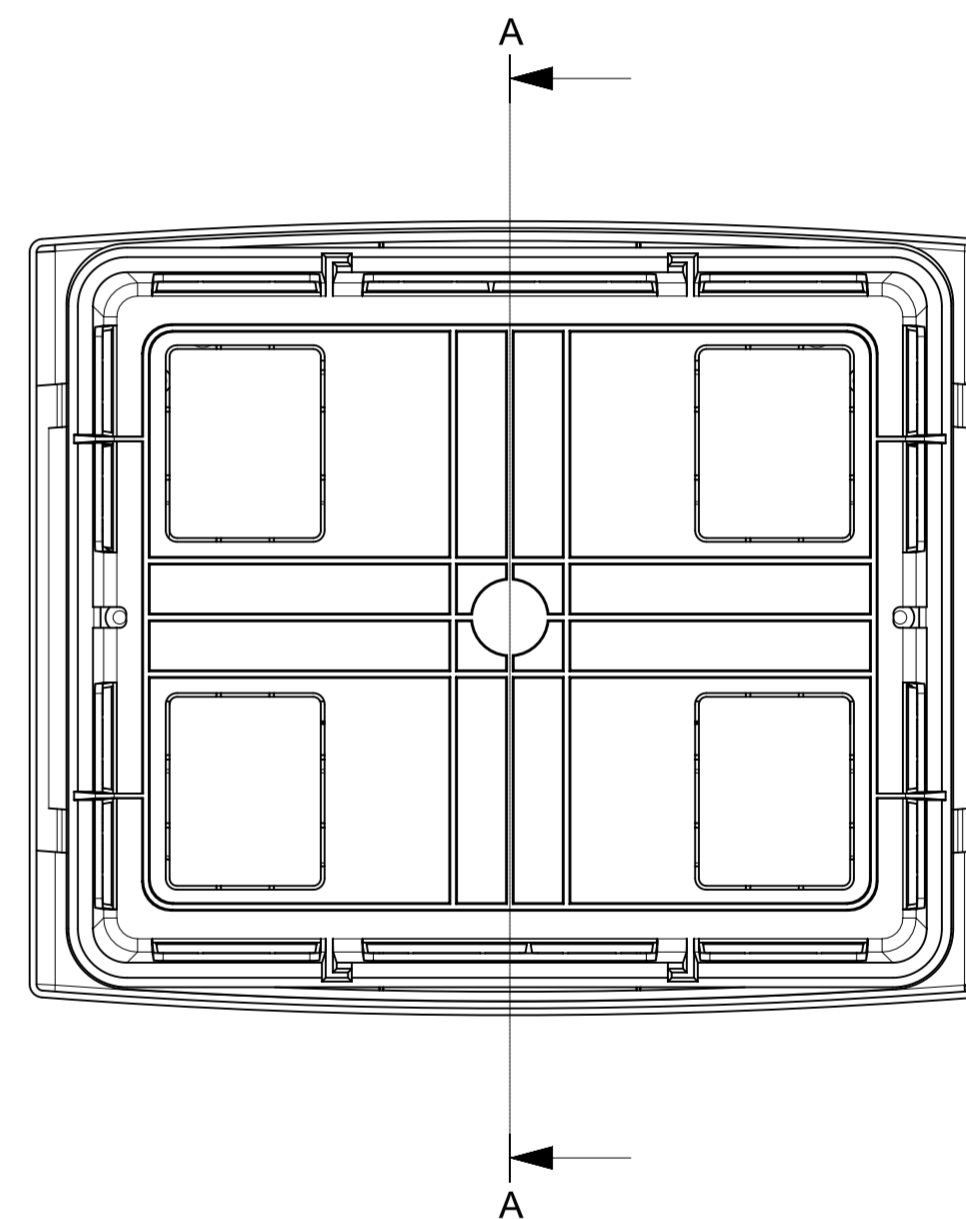
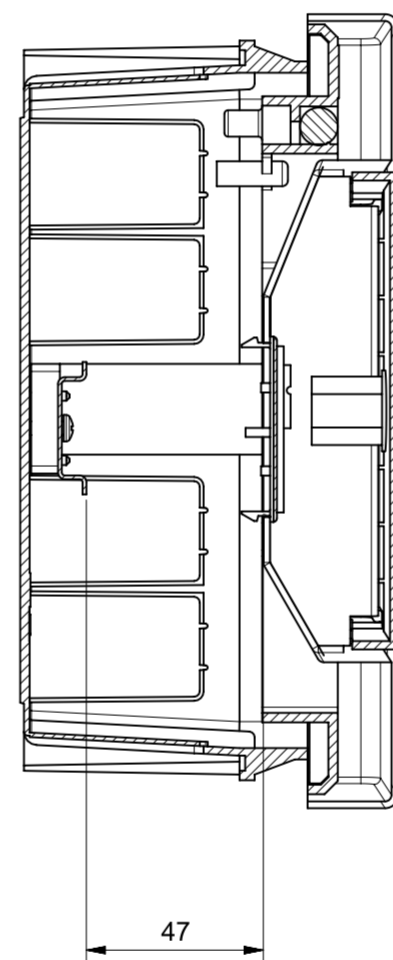


Sezione A-A



|  |   |    |       |     |          |          |       |             |            |
|--|---|----|-------|-----|----------|----------|-------|-------------|------------|
| <p>At the end of the law, we reserve the ownership of this design may not be copied and transfer it to third parties or competitors</p> <p><b>SCAME</b><br/>S.p.A.<br/>PARRE - (Bergamo)</p> | Format  | A2 | Scale | 1:1 | Mould N° | 1000XXXX | Drawn | SCAME       |            |
|  | Tolerances for linear and angular dimensions without indication of specific tolerances: JS13 / UNI 286-1:2010 |    |       |     |          |          |       | Date        | gg-mm-aaaa |
|  | DESCRIPTION   |    |       |     |          |          | CODE  | Sheet 1 / 1 |            |
| CENTRALINO INCASSO 8 MODULI SENZA SERRATURA  |   |    |       |     |          | 4003713  |       |             |            |