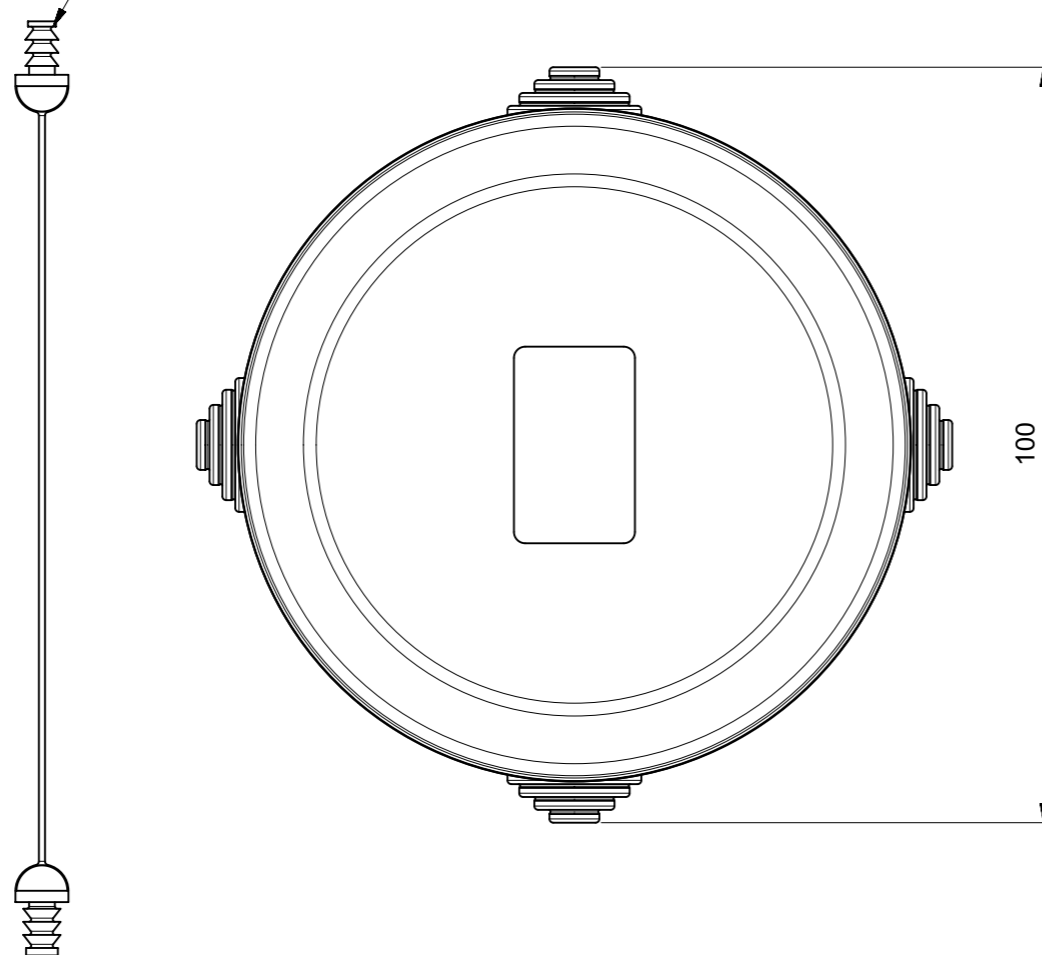


Legaccio di collegamento  
base-coperchio in dotazione  
connection hook supplied base-cover



01	4323	01-10-2018	SERIE CUBOX - ridenominazione sere			D. OPRANDI
REV.	MOD. TECNICA	DATA	DESCRIZIONE			AUTORE
At the end of the law, we reserve the ownership of this design may not be copied and transfer it to third parties or competitors		Format	A3	Scale	1:1	Mould N°
		Tolerances for linear and angular dimensions without indication of specific tolerances: JS13 / UNI 286-1:2010				Drawn
						SCAME
						Date
						Approved
						CODICE
						Sheet 1 / 1
						4003400
 S.p.A. PARRE - (Bergamo)		DESCRIPTION			SCATOLA DERIVAZIONE Ø80 CON PASSACAVI IP55	