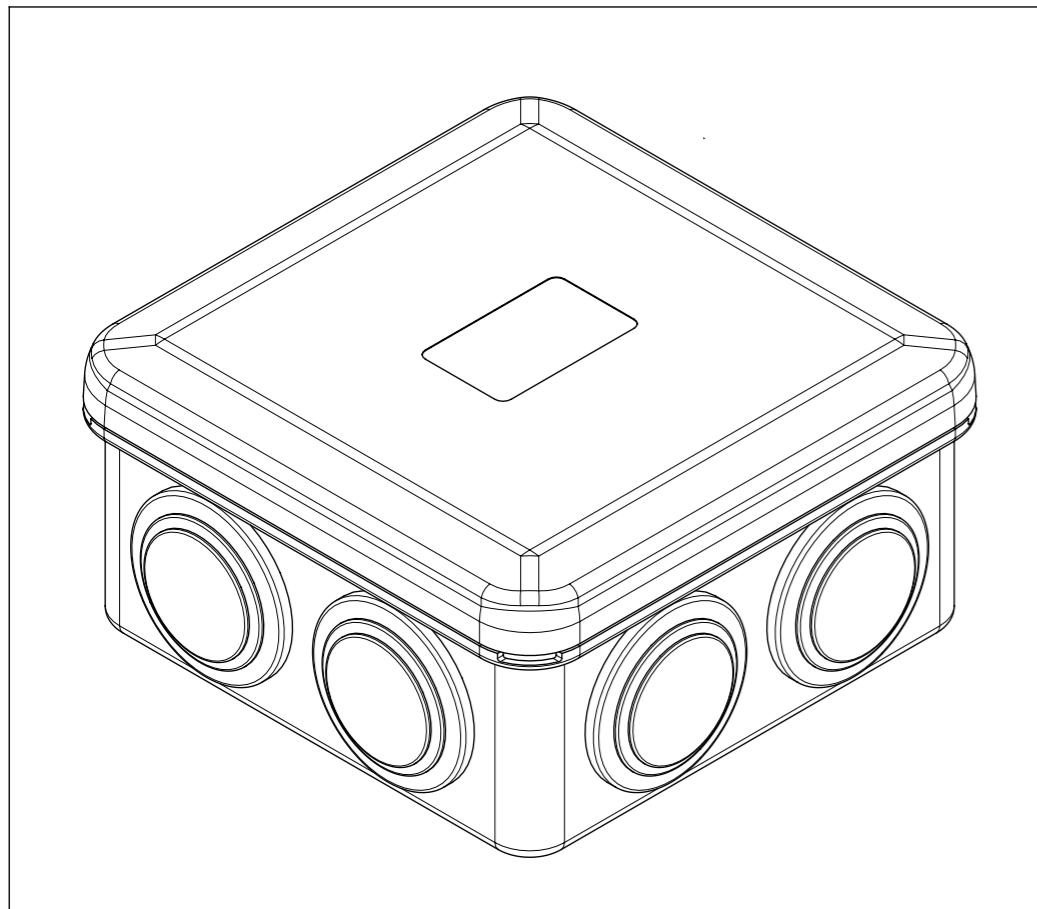
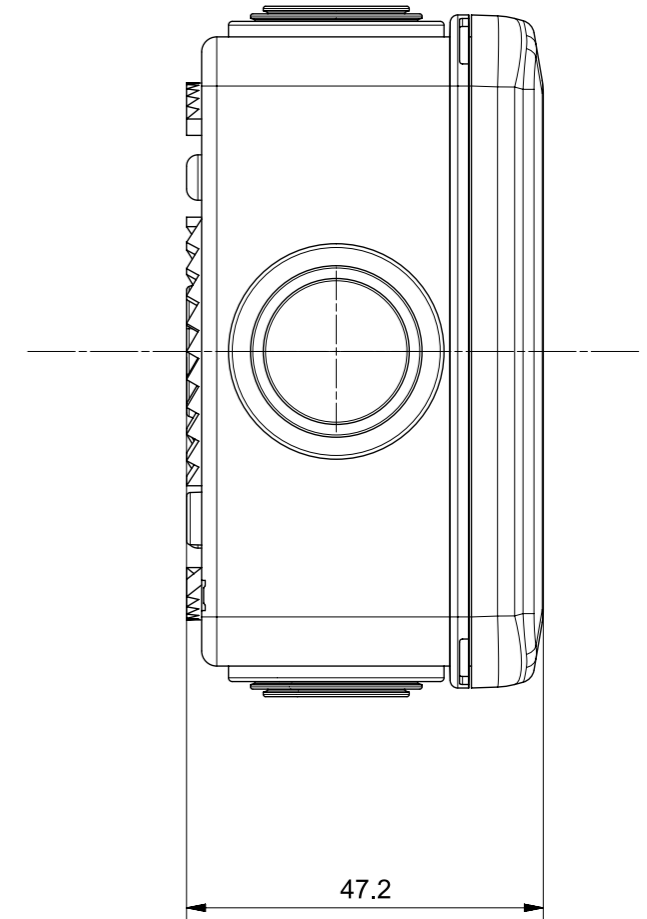
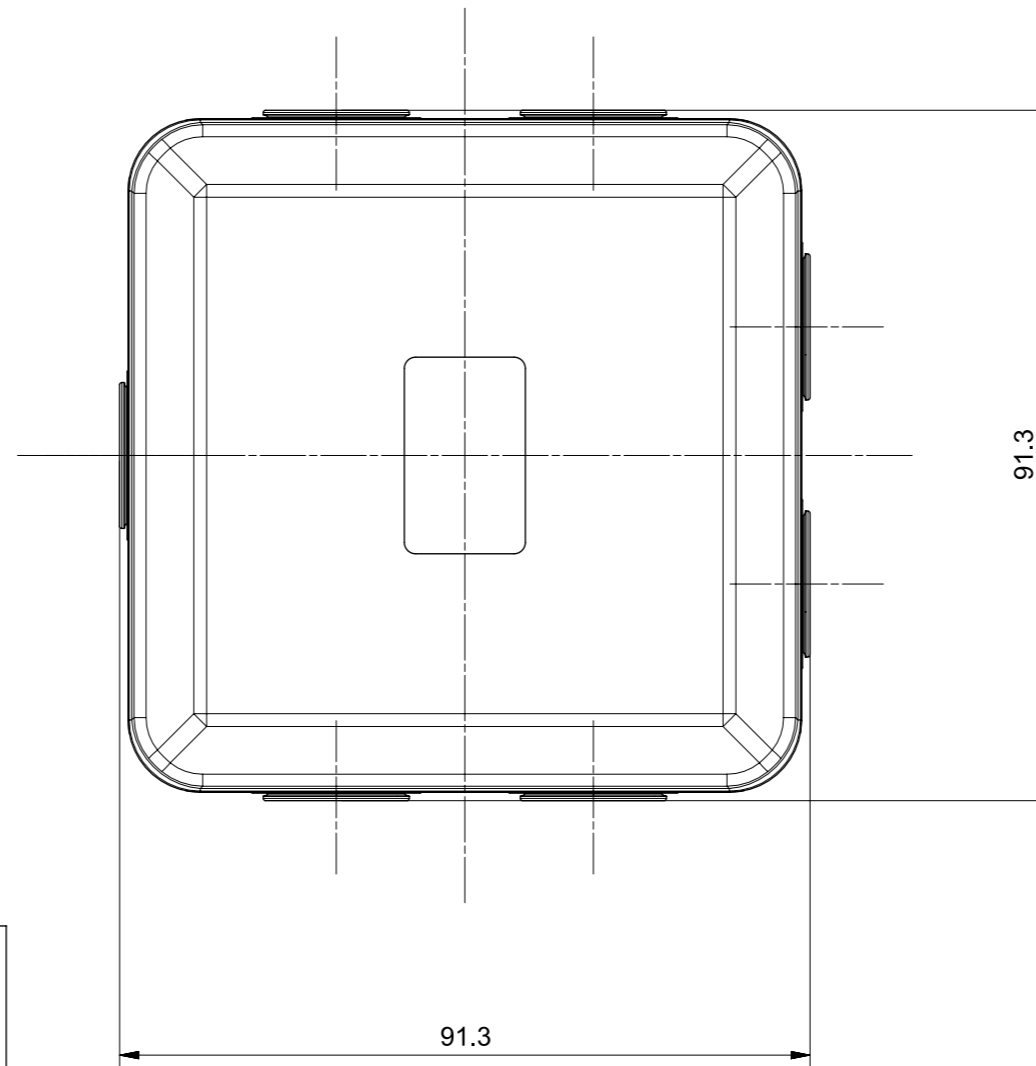
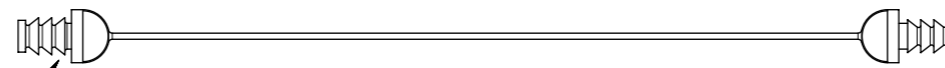


LEGACCIO PER COLLEGAMENTO BASE-COPERCHIO



<p>At the end of the law, we reserve the ownership of this design may not be copied and transfer it to third parties or competitors</p>	Format	A3	Scale	1:1	Mould N°		Drawn	SCAME
	<p>Tolerances for linear and angular dimensions without indication of specific tolerances: JS13 / UNI EN20286</p>							Date
<p>SCAME S.p.A. PARRE - (Bergamo)</p>	<p>DESCRIPTION</p> <p>SCATOLA DER. 80 x 80 C/PAS. IP55 CUBIK</p>						Approved	
							CODICE	Sheet 1 / 1