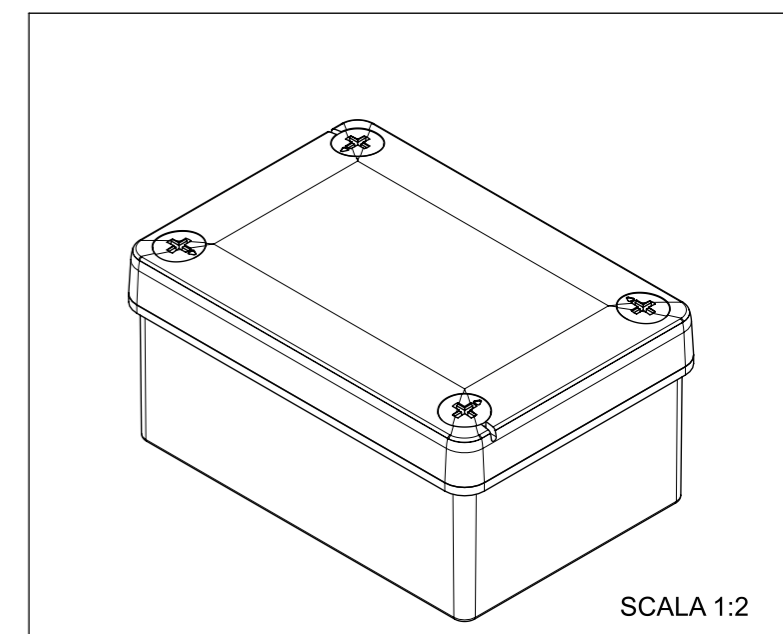
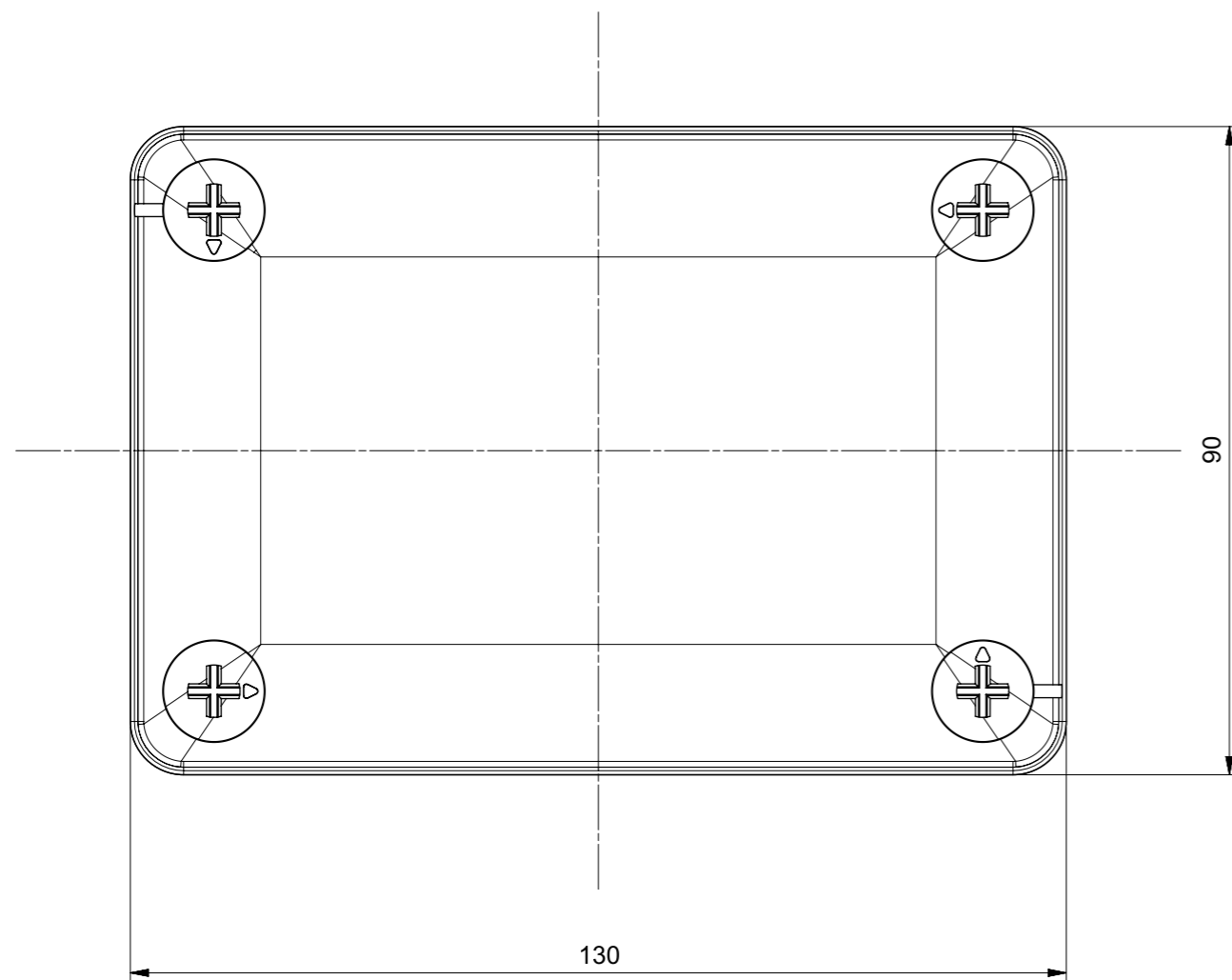
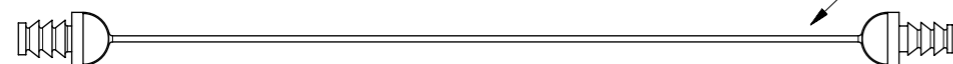


LEGACCIO PER COLLEGAMENTO  
BASE-COPERCHIO



SCALA 1:2

At the end of the law, we reserve the ownership of this design may not be copied and transfer it to third parties or competitors	Format	A3	Scale	1:1	Mould N°		Drawn	SCAME
	Tolerances for linear and angular dimensions without indication of specific tolerances: JS13 / UNI EN20286							Date
<b>SCAME</b> S.p.A. PARRE - (Bergamo)	DESCRIPTION <b>SCATOLA DERIVAZIONE 120x80 S/PASSACAVI IP55</b>						Approved	
							CODICE	Sheet 1 / 1