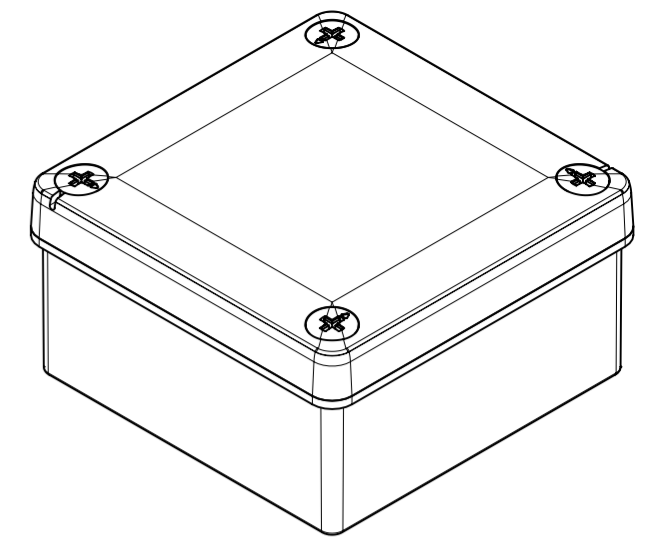
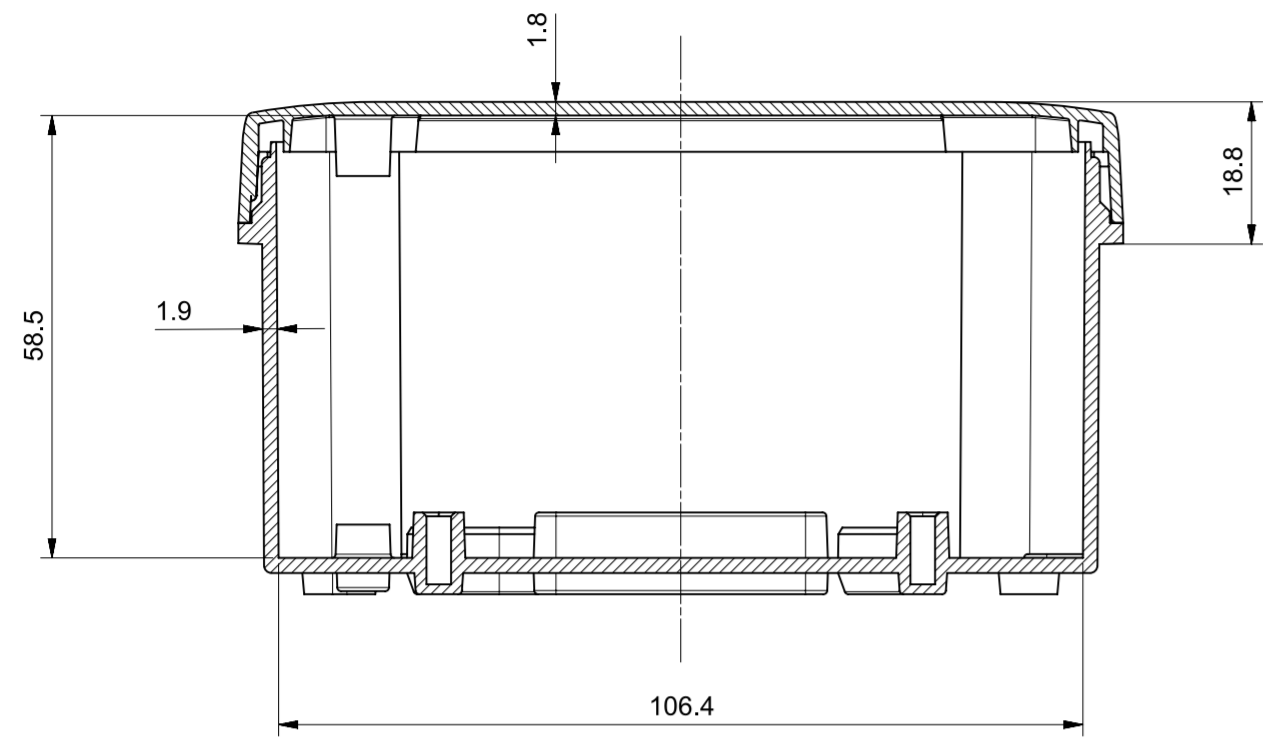
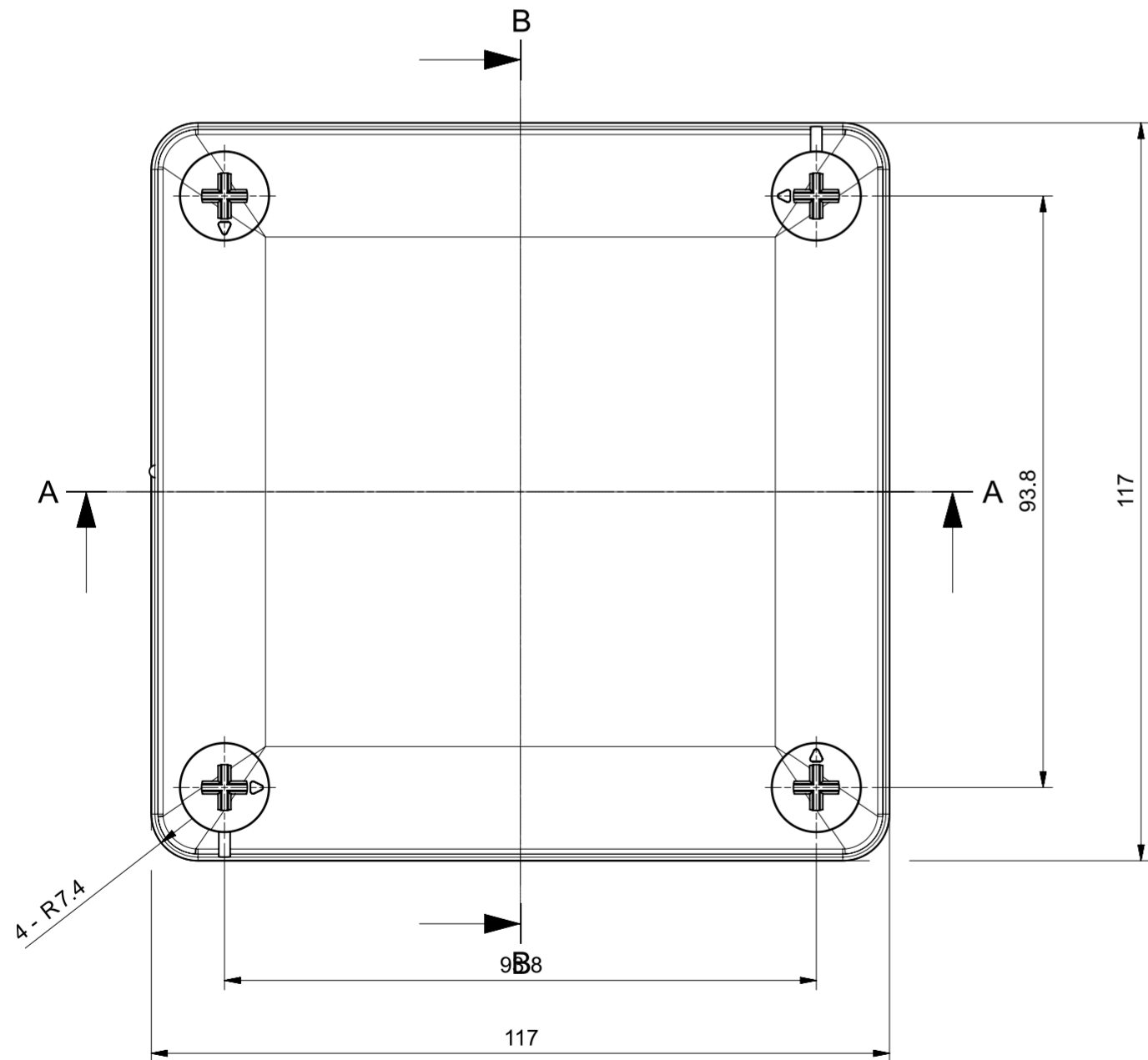


Sezione A-A

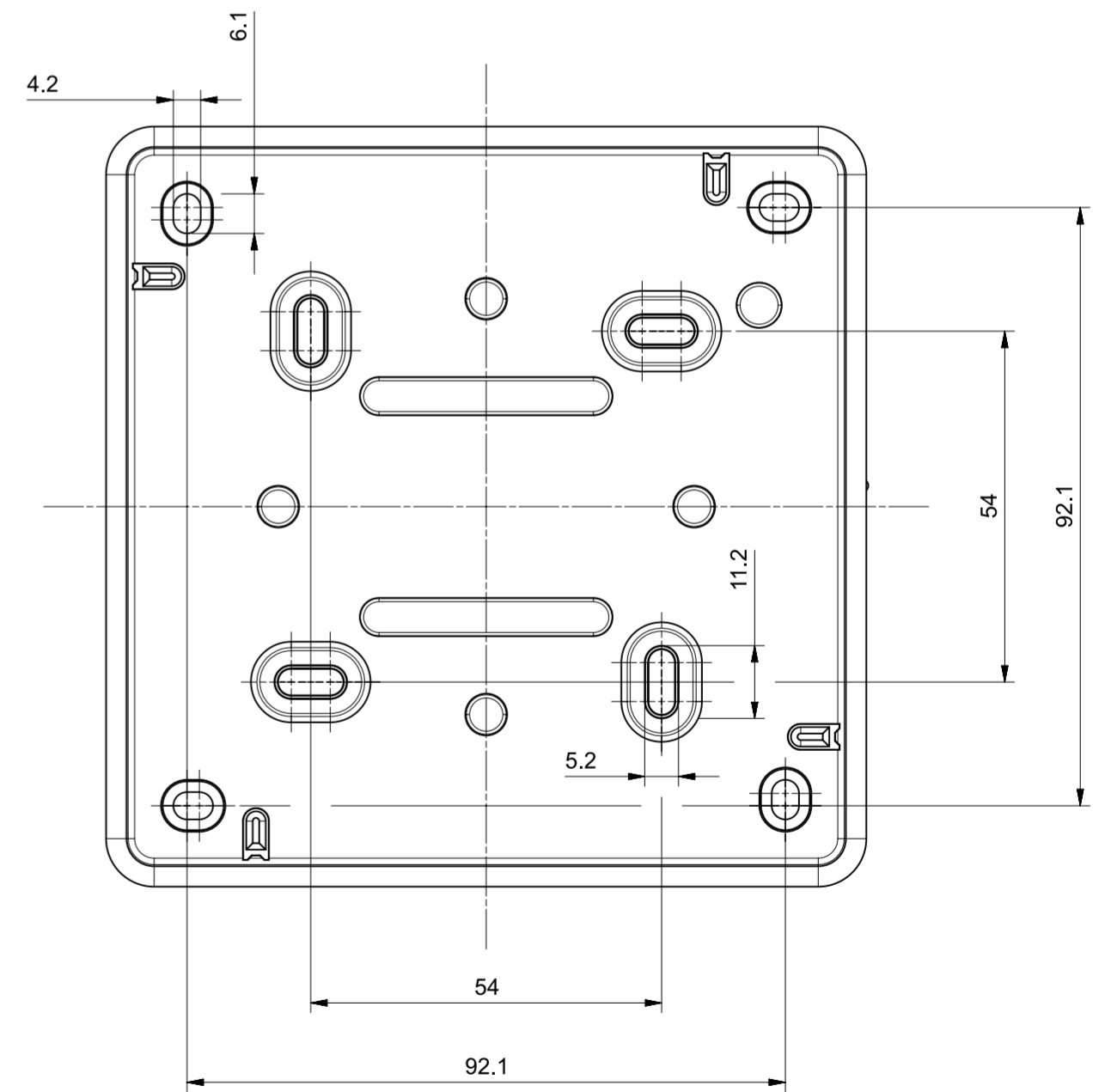
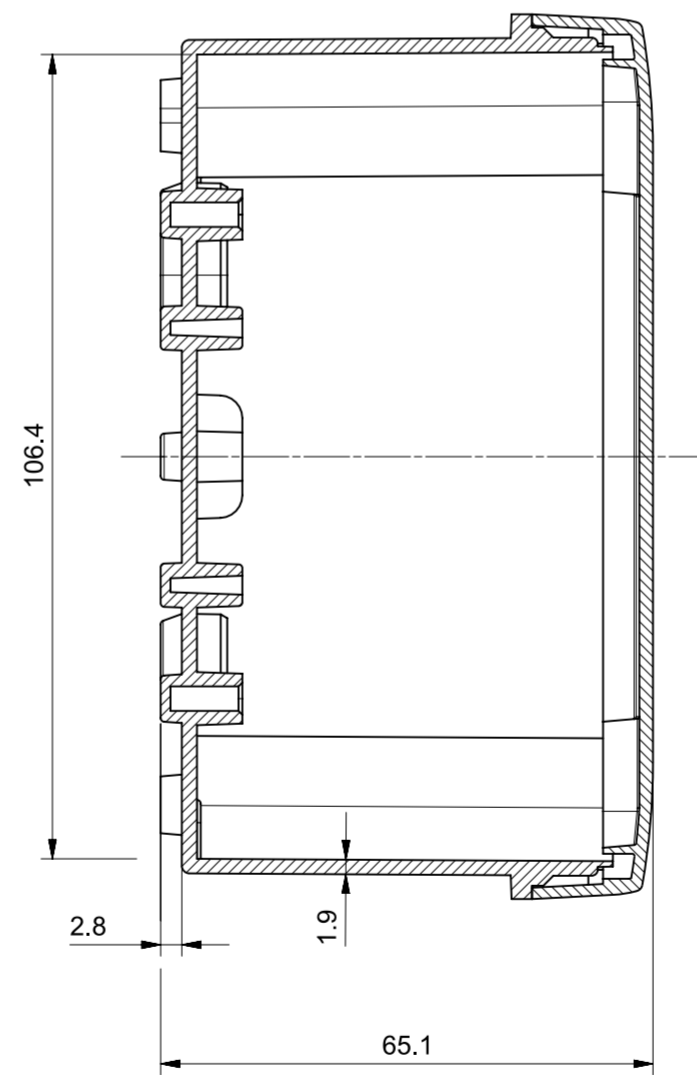


scala 1:2

B



Sezione B-B



At the end of the law, we reserve the ownership of this design may not be copied and transfer it to third parties or competitors SCAME S.p.A. PARRE - (Bergamo)	Format	A2	Scale	1:1	Mould N°	Drawn	SCAME	
	Tolerances for linear and angular dimensions without indication of specific tolerances: JS13 / UNI 286-1:2010						Date	
	DESCRIPTION						Approved	
SCATOLA DERIVAZIONE 100x100 SENZA PASSACAVI IP55 SCABOX						CODE	Sheet 1 / 1	
							4003406	