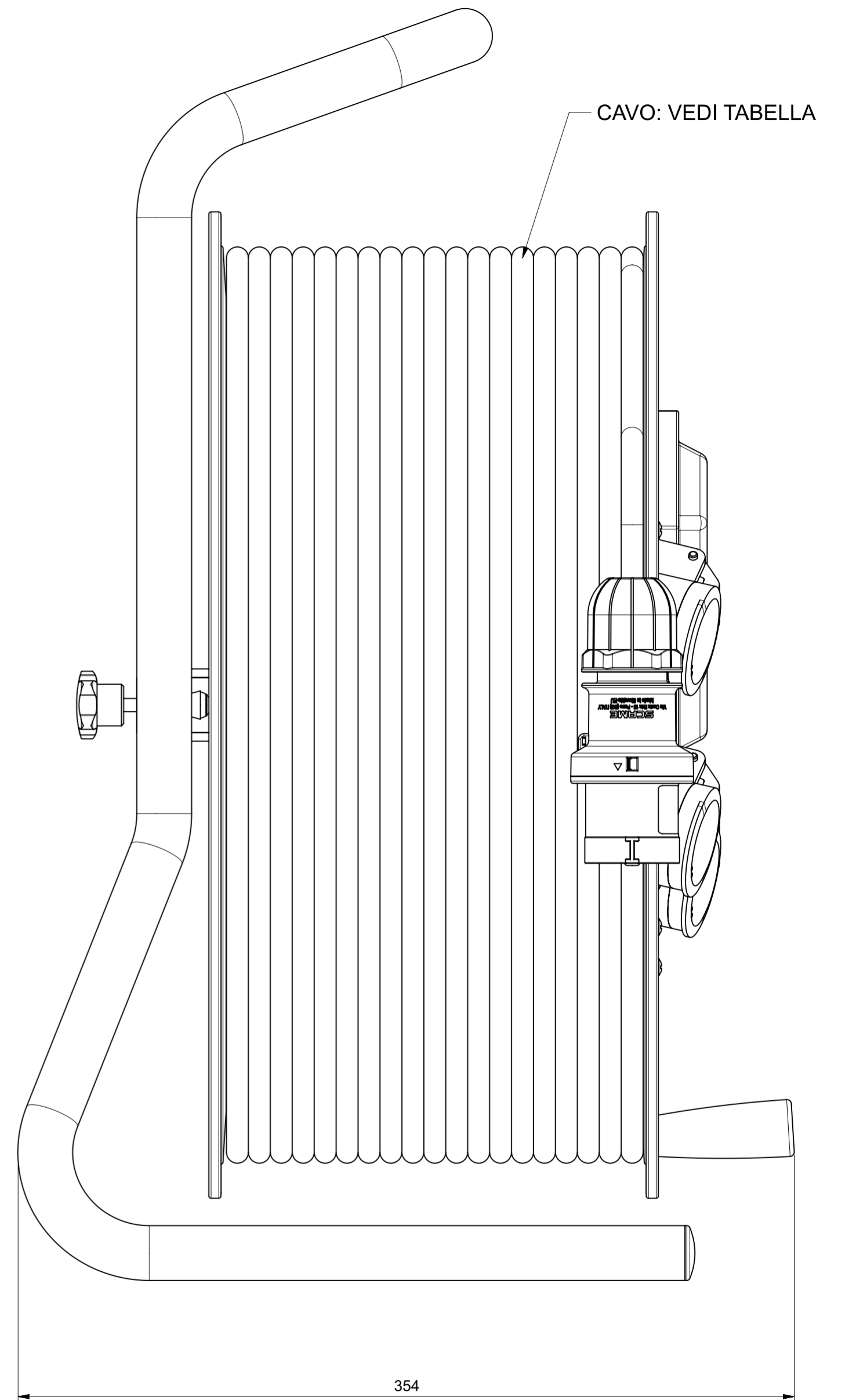


SPINA IEC 309
2P+T 6h 16A IP44

N° 3 PRESE IEC 309
2P 32A 20-25 V IP44



CODICE AVVOLGICAVO	TIPO DI CAVO	SEZIONE (mm2)	LUNGHEZZA (m)
745.5009-361	H07RN-F	2x1	50
745.3009-361	H07RN-F	2x1	30
745.3009-1429BR	H07RN-F	2x1	30

At the end of the law,
we reserve the ownership
of this design may not
be copied and transfer it
to third parties or competitors

SCAME
S.p.A.
PARRE - (Bergamo)

Format	A2	Scale	1:2	Mould N°	1000XXXX	Drawn	SCAME
Tolerances for linear and angular dimensions without indication of specific tolerances: JS13 / UNI 286-1:2010						Date	gg-mm-aaaa
						Approved	
DESCRIPTION						CODE	Sheet 1 / 1
AVVOLGICAVO ROLLER 450							4008015