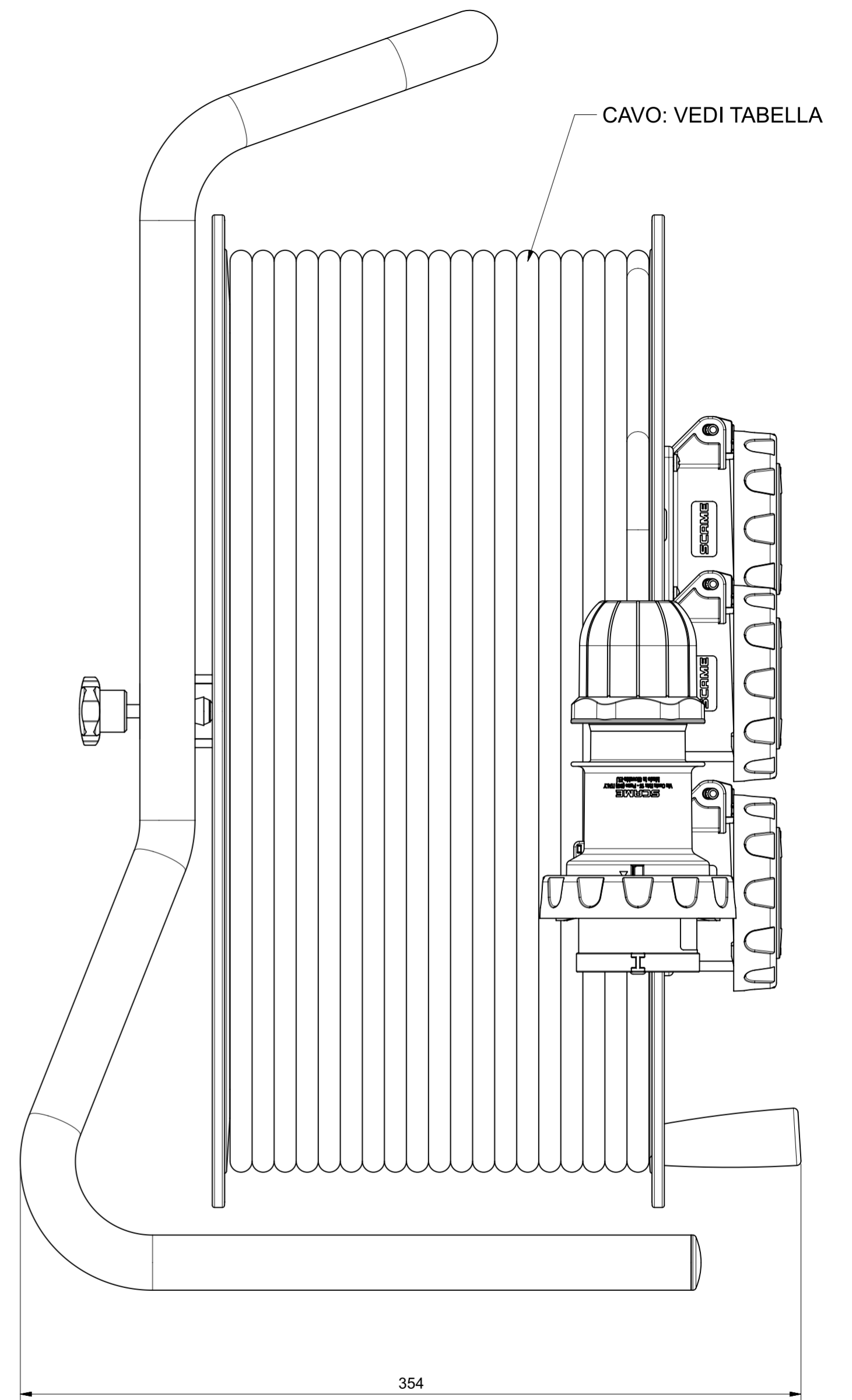


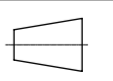

N° 4 PRESE IEC 309
3P+N+T 6h 16A IP55

SPINA IEC 309
3P+N+T 6h 16A IP66/7 reverse



CAVO: VEDI TABELLA

CODICE AVVOLGICAVO	TIPO DI CAVO	SEZIONE (mm ²)	LUNGHEZZA (m)
745.3505-096	H07RN-F	5x2,5	30
745.5505-096	H07RN-F	5x2,5	50
745.5505-416	H07RN-F	5x4	30

At the end of the law, we reserve the ownership of this design may not be copied and transfer it to third parties or competitors SCAME S.p.A. PARRE - (Bergamo)	Format	A2	Scale	1:2	Mould N°	1000XXXX	Drawn	SCAME	
	Tolerances for linear and angular dimensions without indication of specific tolerances: JS13 / UNI 286-1:2010						 	Date	gg-mm-aaaa
	DESCRIPTION						Approved	CODE	Sheet 1 / 1
AVVOLGICAVO ROLLER 450								4007997	